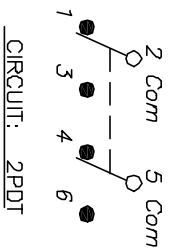


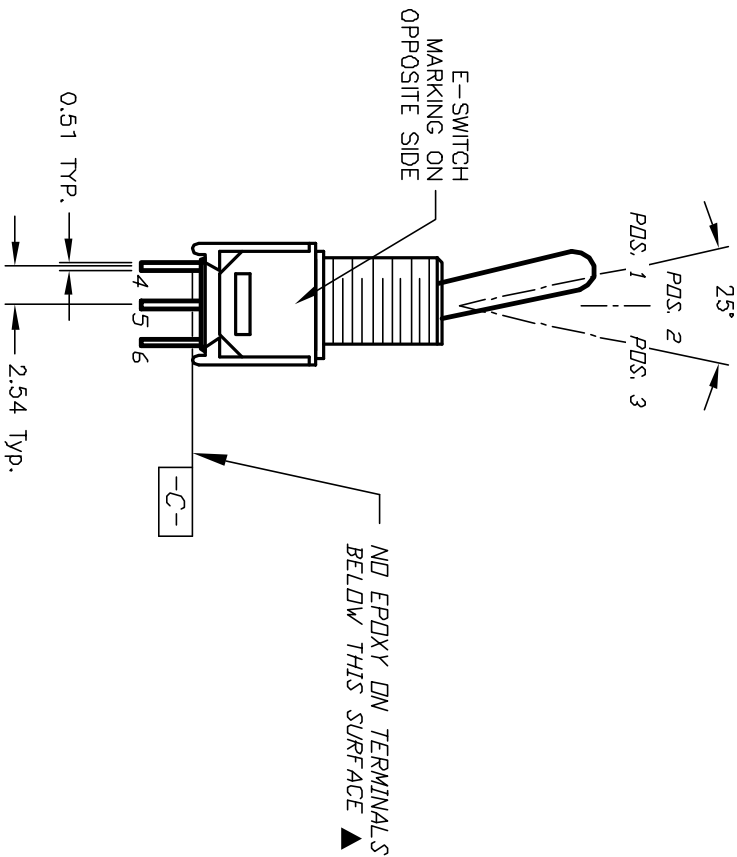
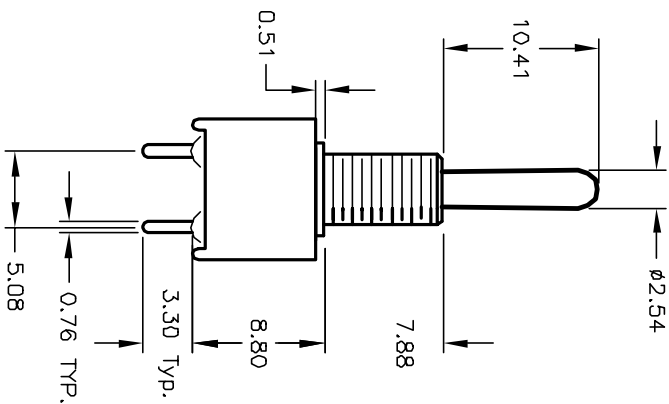
RECOMMENDED P.C.B. LAYOUT



SWITCH FUNCTION		
PDS. 1	PDS. 2	PDS. 3
DN	OFF	DN
2-3,5-6	OPEN	2-1,5-4

NOTES:

1. ALL DIMENSIONS IN MM
2. GENERAL TOLERANCE: X.X=±0.4  
X.XX=±0.25
3. TERM. NOS. FOR REF. ONLY
4. RATING: 3A @120VAC OR 28VDC  
1A @250VAC
5. FIXED TERMINAL/MOVING CONTACT:  
COPPER ALLOY W/SILVER PLATE.  
ELECTRIC LIFE: 30,000 make-and-break cycles  
at full load.
6. INSULATION RESISTANCE: 1,000 M ohm min.
7. DIELECTRIC STRENGTH: 1,000 V RMS @sea level.
8. OPERATING TEMP. -30°C to +85°C
9. ▲ DESIGNATE MAJOR FEATURE



REV.	ECN NO.	DESCRIPTION	DATE	CHKD
A	11966	RELEASED FOR PRODUCTION	2/11/02	CJB

TITLE	SCALE	DATE	DR	DWG	REV
200 MDP-3 T4 B5 M2 QE	2:1	2/11/02	CJB	T2222008	A

**E-SWITCH®**

THE INFORMATION CONTAINED IN THIS DOCUMENT IS PROPRIETARY TO E-SWITCH AND IS NOT TO BE COPIED OR TRANSMITTED