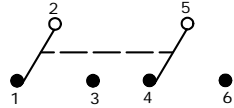
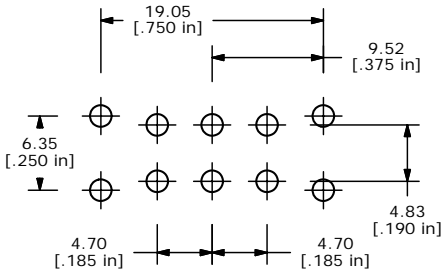
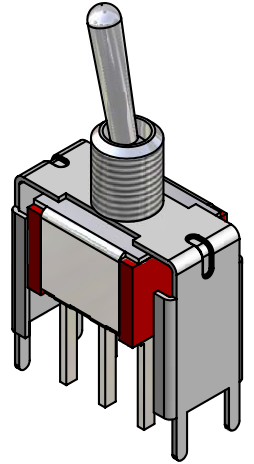
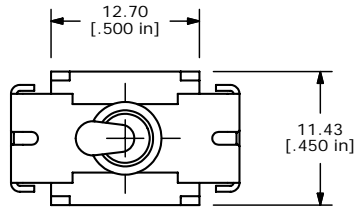


SWITCH FUNCTION		
POS. 1	POS. 2	POS. 3
ON	NONE	ON
2-3, 5-6	N/A	2-1, 5-4



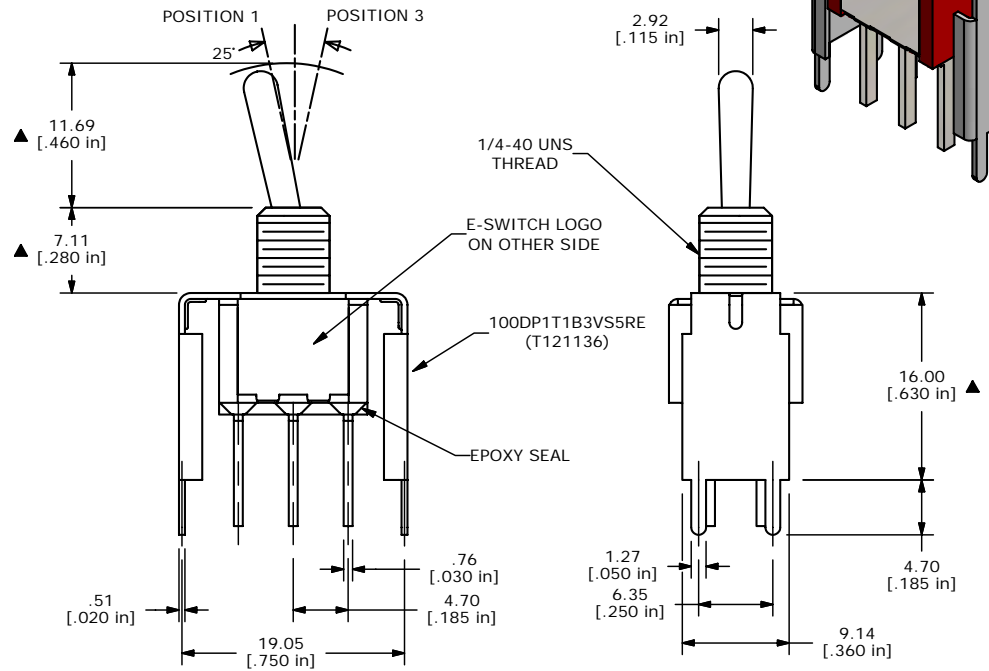
CIRCUIT: DPDT



RECOMMENDED PANEL MOUNTING

NOTES:

1. ALL DIMENSIONS IN MM [INCH]
2. GENERAL TOLERANCE: $x.xx = \pm 0.4$
 $x.xx = \pm 0.25$
3. TERM. NUMBERS FOR REFERENCE ONLY
- ▲ 4. RATING: 0.4VA @ 20V AC MAX.
- ▲ 5. FIXED TERM. & MOVING CONTACT:
COPPER ALLOY W/GOLD PLATE
OVER NICKEL PLATE
6. ELECTRICAL LIFE: 40,000 MAKE-AND
BREAK CYCLES AT FULL LOAD
7. INSULATION RESISTANCE: 1,000M OHM MIN.
8. DIELECTRIC STRENGTH: 1000V RMS
@ SEA LEVEL
9. OPERATING TEMP: -30°C to 85°C
10. ▲ DENOTES CRITICAL PARAMETER
11. 2002/95/EC (ROHS) COMPLIANT
- ▲ 12. HARDWARE TO BE SHIPPED BULK:
T100011 - LOCK WASHER, QTY 1
T100015 - LOCK RING, QTY 1
T100000 - HEX NUT, QTY 2



TITLE 100DP1T1B3VS5REH

A	16078	NEW PART RELEASE	6/2/06	CT
REV	PCR NO	DESCRIPTION	DATE	BY

THE INFORMATION CONTAINED IN THIS DOCUMENT IS PROPRIETARY TO E-SWITCH AND IS NOT TO BE COPIED OR TRANSFERRED

SCALE	DATE	DR	DWG	REV
2:1	6/2/2006	CT	ST121136	A