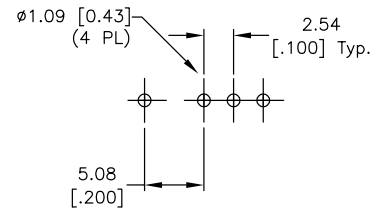


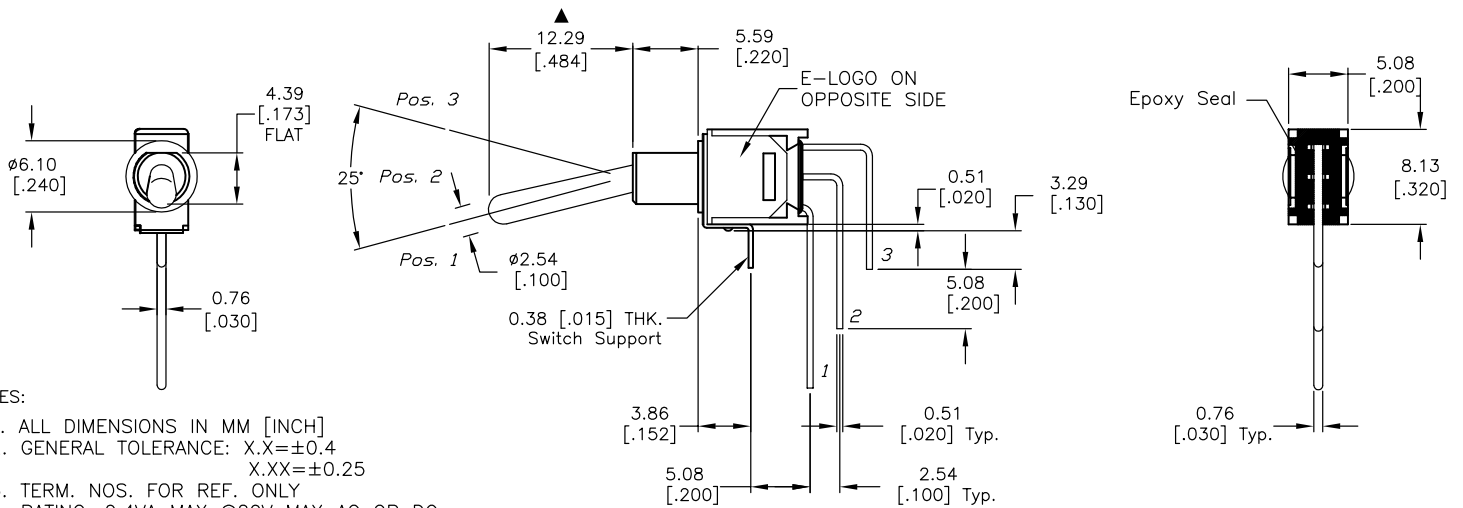


CIRCUIT: SPDT
CONTACT CONFIGURATION

SWITCH FUNCTION		
POS. 1	POS. 2	POS. 3
ON	OFF	ON
2-3	OPEN	2-1



RECOMMENDED P.C.B. LAYOUT



NOTES:

1. ALL DIMENSIONS IN MM [INCH]
2. GENERAL TOLERANCE: X.X=±0.4
X.XX=±0.25
3. TERM. NOS. FOR REF. ONLY
4. RATING: 0.4VA MAX @20V MAX AC OR DC.
5. FIXED TERM. MOVING CONTACT: COPPER ALLOY
WITH GOLD PLATE OVER NICKLE PLATE
6. ELECTRICAL LIFE: 30,000 make-and-break cycle
at full load.
7. DIELECTRIC STRENGTH: 1,000 V RMS @sea level.
8. OPERATING TEMP.: -30°C to 85°C
9. ▲ DENOTES CRITICAL PARAMETER.

E-SWITCH®

TITLE				
200MSP3T4B2M7RE				
SCALE	DATE	DR	DWG	REV
2:1	5/19/04	AR	T211051	A

A	14021	RELEASED FOR PRODUCTION	5/19/04	AR
REV.	ECN No.	DESCRIPTION	DATE	CHKD

THE INFORMATION CONTAINED IN THIS DOCUMENT IS PROPRIETARY TO E-SWITCH AND IS NOT TO BE COPIED OR TRANSFERRED