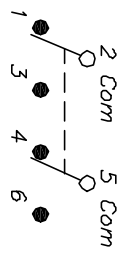


RECOMMENDED P.C.B. LAYOUT

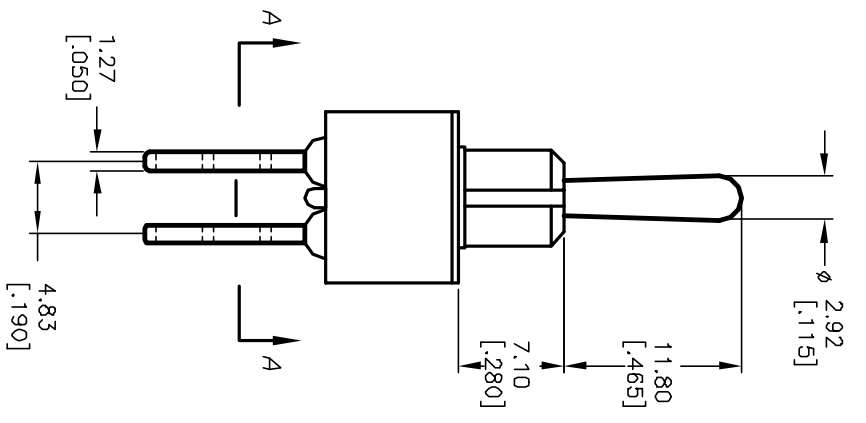
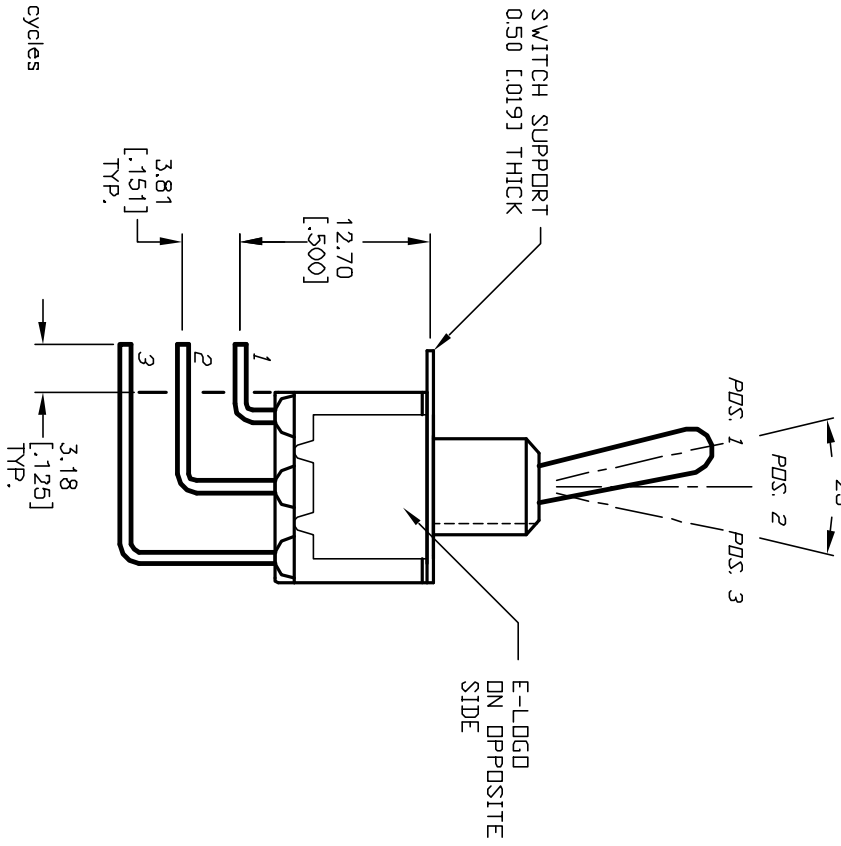
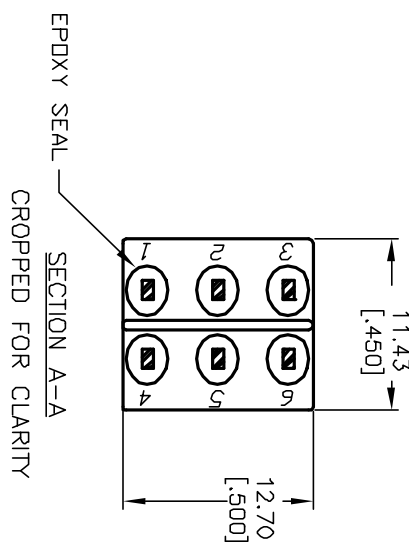
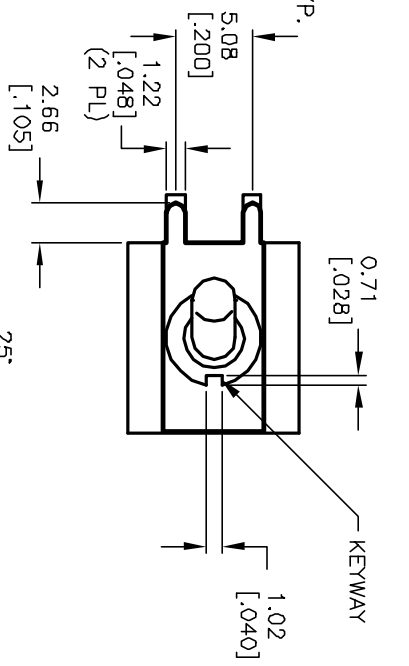


CIRCUIT: DPDT CONTACT CONFIGURATION

| SWITCH FUNCTION | | |
|-----------------|--------|---------|
| PDS. 1 | PDS. 2 | PDS. 3 |
| | | |
| DN | DIFF | DN |
| 2-3,5-6 | DPEN | 2-1,5-4 |

NOTES:

1. ALL DIMENSIONS IN MM [INCH]
2. GENERAL TOLERANCE: X.X=±0.4 X.XX=±0.25
3. TERM. NOS. FOR REF. ONLY
4. RATING: 5A @120VAC OR 2BVDC: 2A @250VAC.
5. FIXED TERM. & MOVING CONTACT: Copper Alloy W/SILVER plate.
6. ELECTRICAL LIFE: 50,000 make-and-break cycles at full load.
7. INSULATION RESISTANCE: 1,000M ohm min.
8. DIELECTRIC STRENGTH: 1,000V RMS @sea level.
9. OPERATING TEMP.: -30°C to +85°C.



| | | | | |
|------|---------|---------------------|---------|------|
| REV. | ECN No. | DESCRIPTION | DATE | CHKD |
| B | 12005 | REVISED AND REDRAWN | 3/20/02 | CJB |

| | | | | | | |
|-----------------------|--|-------|---------|-----|---------|-----|
| TITLE | | SCALE | DATE | DR | DWG | REV |
| 100 DP-3 T1 B4 M7 Q E | | 2:1 | 3/20/02 | CJB | T123004 | B |

