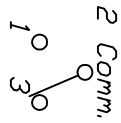


RECOMMEND P.C.B. LAYOUT

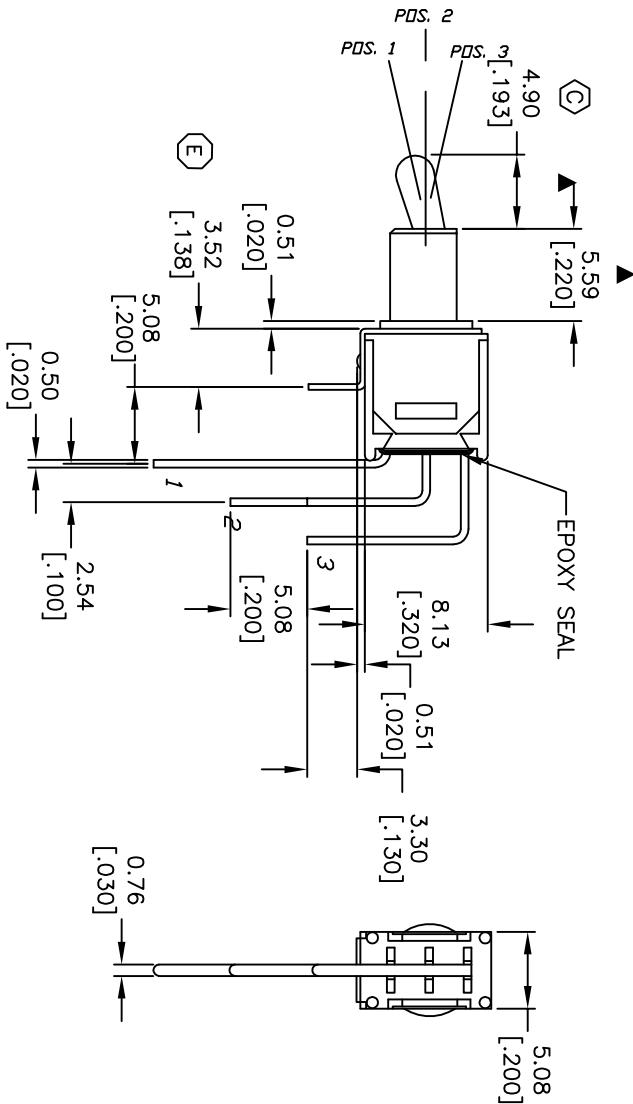
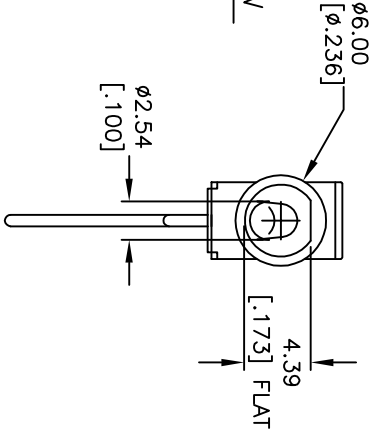


CIRCUIT: SPDT  
CONTACT CONFIGURATION

SWITCH FUNCTION		
PDS. 1	PDS. 2	PDS. 3
DN	OFF	DN
2-3	OPEN	2-1

NOTES:

1. ALL DIMENSIONS IN MM
2. GENERAL TOLERANCE: X.X=±0.4  
X.XX=±0.25
3. TERM. NOS. FOR REFERENCE ONLY.
4. CONTACT RATING: 3A @120VAC OR 28VDC, 1A @250VAC
5. ELECTRIC LIFE: 30,000 make-and-break cycles at full load.
6. INSULATION RESISTANCE: 1,000 M ohm min.
7. DIELECTRIC STRENGTH: 1,000 V RMS @sea level.
8. OPERATING TEMP. -30°C to 85°C
9. ▲ DENOTES CRITICAL PARAMETER.
10. 2002/95/EC (ROHS) COMPLIANT



REV.	ECN No.	DESCRIPTION	DATE	CHKD
E	17571	CHANGED DIM FROM 3.86 TO 3.52	8/17/07	BF
D	15195	CHANGED DIMENSION FROM 6.10 TO 5.59	8/22/2005	PH
C	14272	CORRECT ACTUATOR HEIGHT	8/27/04	AR
B	14244	CORRECT TITLE, UPDATE STANDARDS	8/17/04	AR
A		RELEASED FOR PRODUCTION		

THE INFORMATION CONTAINED IN THIS DOCUMENT IS PROPRIETARY TO E-SWITCH AND IS NOT TO BE COPIED OR TRANSFERRED				
SCALE	DATE	DR	DWG	REV
2:1	8/17/07	BF	T212021	E
<b>E-SWITCH®</b> 200MSP3T2B2M7QE				