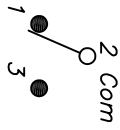


RECOMMENDED P.C.B. LAYOUT

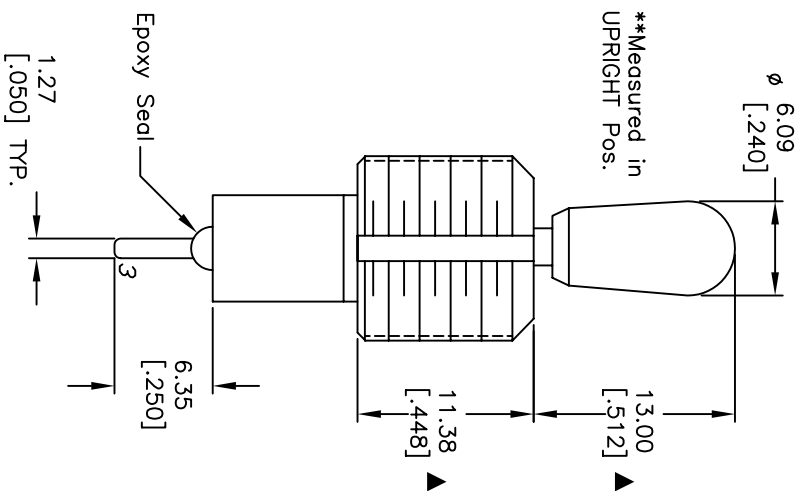
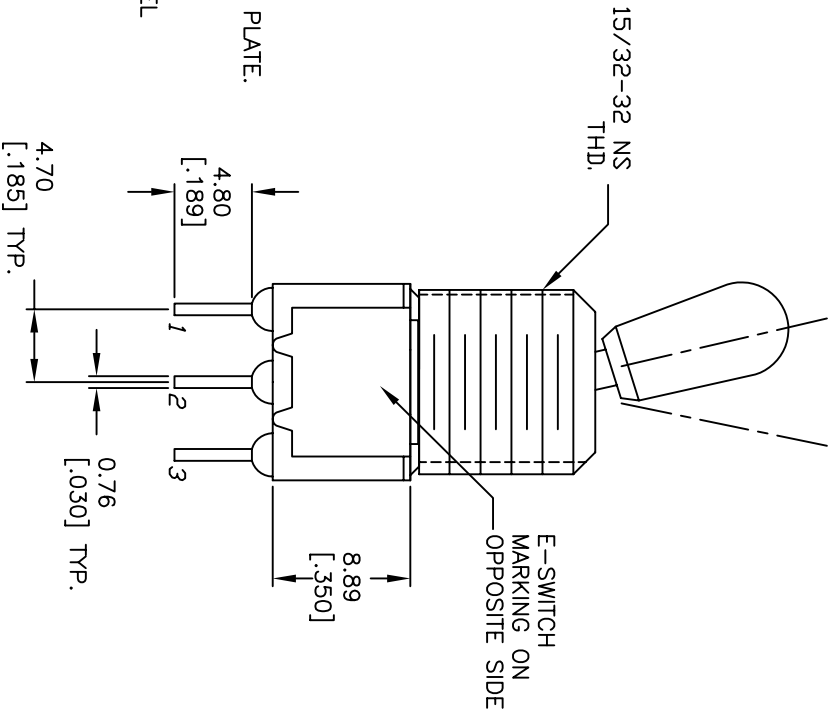
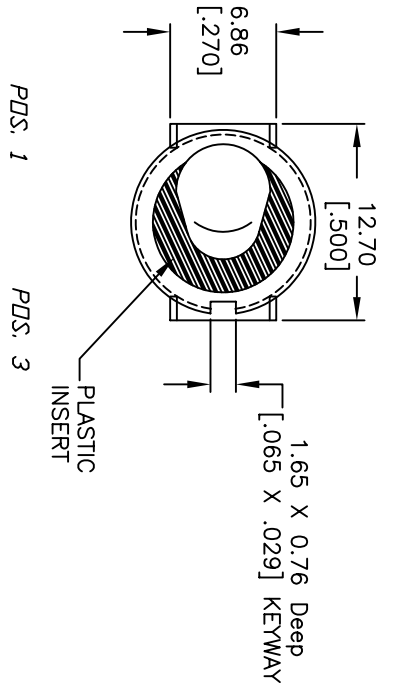


CIRCUIT: SPDT

SWITCH FUNCTION		
PDS. 1	PDS. 2	PDS. 3
DN	NONE	DN
2-3	OPEN	2-1

NOTES:

- ALL DIMENSIONS IN MM [INCH]
- GENERAL TOLERANCE: X.X=±0.4
X.XX=±0.25
- TERM. NOS. FOR REF. ONLY
- RATING: 0.4(VA) Max. @20V Max. (AC OR DC)
- FIXED TERM. & MOVING CONTACT;
COPPER ALLOY W/GOLD PLATE OVER NICKLE PLATE.
- ELECTRICAL LIFE: 50,000 MAKE-AND-BREAK CYCLES AT FULL LOAD.
- INSULATION RESISTANCE: 1,000M OHM MIN.
- DIELECTRIC STRENGTH: 1000V RMS @SEA LEVEL
- OPERATING TEMP.: -30°C to 85°C
- ▲ DENOTES CRITICAL PARAMETER.
- 2002/95/EC (ROHS) COMPLIANT
- HARDWARE TO BE SUPPLIED BULK:
T100012-LOCK WASHER QTY-1
T100003-LOCK RING QTY-1
T100004-HEX NUT QTY-2



E-SWITCH®

100SP1T7B13M2REH

TITLE

RELEASED FOR PRODUCTION

ECN No.

15491

REV. A

DESCRIPTION

DATE

11/2/05

PH

CHKD

SCALE

2:1

DATE

11/2/05

DR

PH

DWG

ST110019

REV

A

THE INFORMATION CONTAINED IN THIS DOCUMENT IS PROPRIETARY TO E-SWITCH AND IS NOT TO BE COPIED OR TRANSFERRED