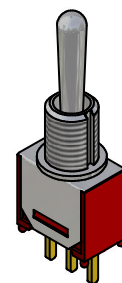
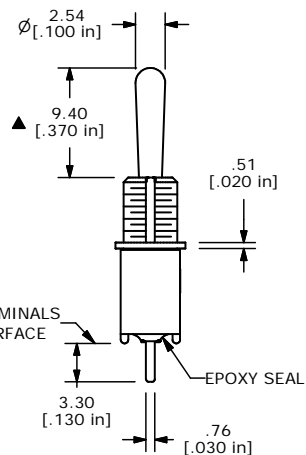
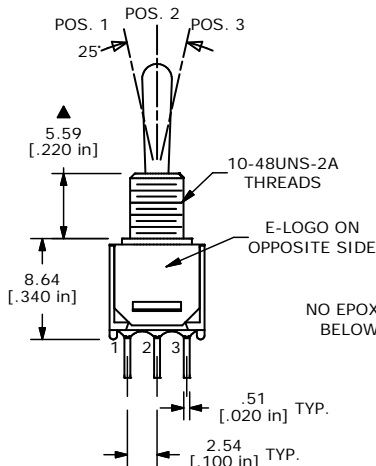
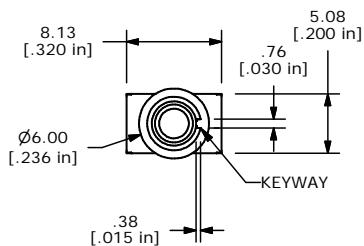
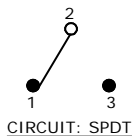


P.C. MOUNTING

SWITCH FUNCTION		
POS. 1	POS. 2	POS. 3
ON	OFF	ON
2-3	OPEN	2-1



ISOMETRIC

- NOTE:
- ALL DIMENSIONS IN MM [INCH]
 - GENERAL TOLERANCE: X.X=±0.4
X.XX=±0.25
 - TERMINAL NUMBERS FOR REF ONLY
 - PLATING MATERIAL: GOLD
 - RATING: 0.4VA MAX. @20V MAX. AC OR DC
 - ELECTRIC LIFE: 30,000 MAKE-AND-BREAK CYCLES AT FULL LOAD.
 - INSULATION RESISTANCE: 1,000 MEGA-OHM MIN.
 - DIELECTRIC STRENGTH: 1,000 V RMS @SEA LEVEL.
 - OPERATING TEMP.: -30°C to 85°C
 - ▲ DENOTES CRITICAL PARAMETER.

E-SWITCH®

TITLE 200MSP3T1B3M2RE

A	14813	RELEASED FOR PRODUCTION	4/1/05	AR
REV	PCR NO	DESCRIPTION	DATE	BY

THE INFORMATION CONTAINED IN THIS DOCUMENT IS PROPRIETARY TO E-SWITCH AND IS NOT TO BE COPIED OR TRANSFERRED

SCALE 2:1	DATE 4/1/05	DR AR	DWG T213021	REV A
-----------	-------------	-------	-------------	-------