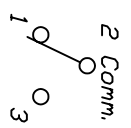
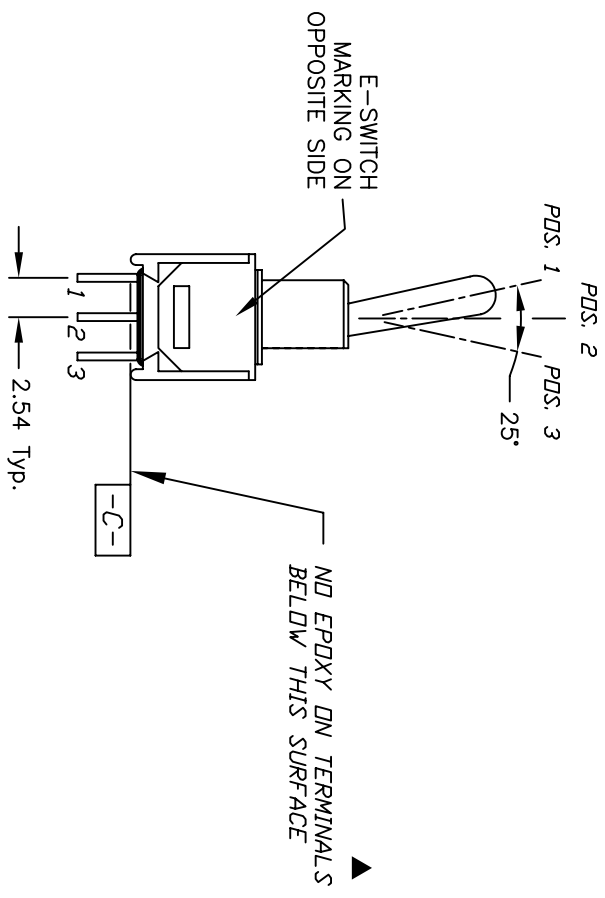
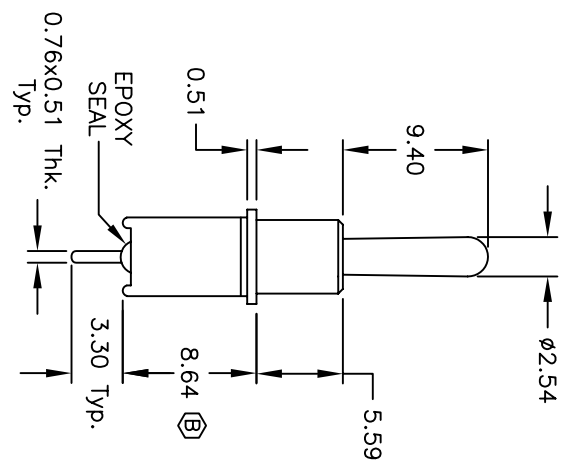


RECOMMEND P.C.B. LAYOUT



CIRCUIT: SPDT
CONTACT CONFIGURATION

| SWITCH FUNCTION | | |
|-----------------|--------|--------|
| PDS. 1 | PDS. 2 | PDS. 3 |
| DN | DEF | DN |
| 2-3 | OPEN | 2-1 |

- NOTES:
1. ALL DIMENSIONS IN MM
 2. GENERAL TOLERANCE: 0.0=±0.4
0.00=±0.25
 3. TERM. NOS. FOR REF. ONLY
 4. CONTACT RATING: 0.4 (VA) max. @20 VAC or DC max.
 5. FIXED TERMINAL & MOVING CONTACT: Cu alloy w/ Au plate over Ni plate.
 6. ELECTRIC LIFE: 30,000 make-and-break cycles at full load.
 7. INSULATION RESISTANCE: 1,000 M ohm min.
 8. DIELECTRIC STRENGTH: 1,000 V RMS @sea level.
 9. OPERATING TEMP.: -30°C to 85°C
 10. 2002/95/EC (ROHS) COMPLIANT

| | | | | |
|------|---------|-------------------------|---------|------|
| B | 18459 | DIM CHANGED (WAS 880) | 3/20/09 | BLR |
| A | 10278 | RELEASED FOR PRODUCTION | | |
| REV. | ECN No. | DESCRIPTION | DATE | CHKD |

| | | | | | |
|------------------------|--|----------|--|--------------------|--|
| TITLE | | E-SWITCH | | GLAMBER INDUSTRIES | |
| SCALE | | DATE | | DR | |
| 2:1 | | 3/20/09 | | BLR | |
| TITLE | | DATE | | DWG | |
| 200 MSP-3 T1 B2 M2 R E | | 3/20/09 | | T212011 | |
| SCALE | | DATE | | REV | |
| 2:1 | | 3/20/09 | | B | |