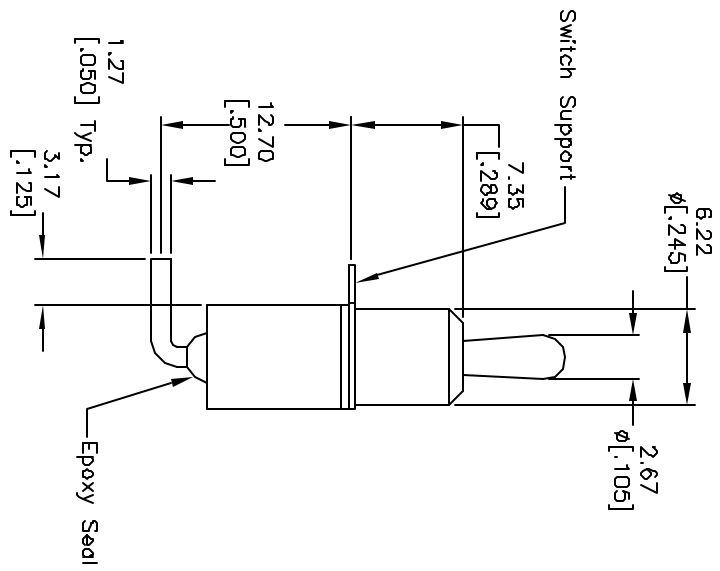
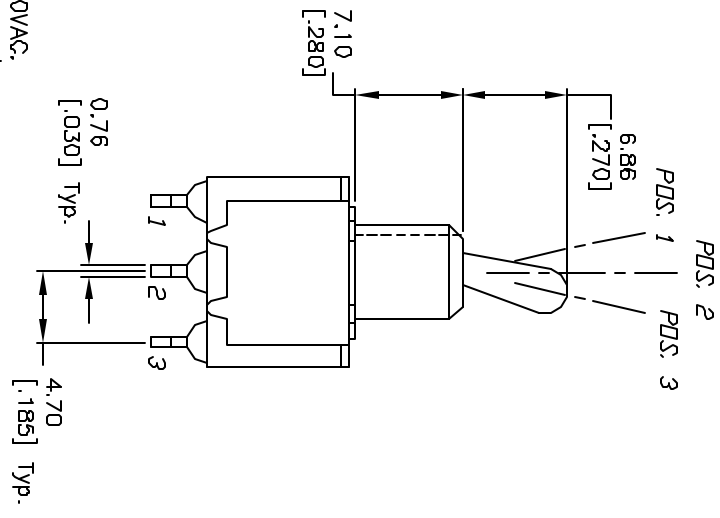
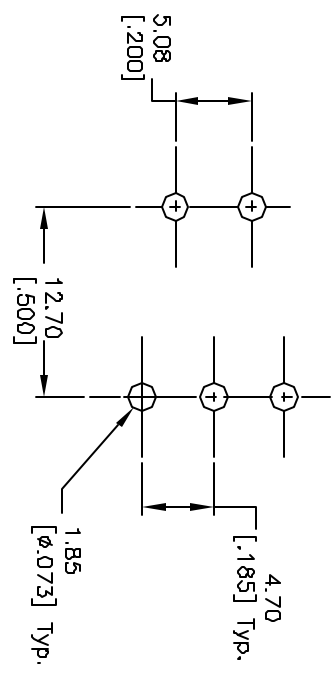
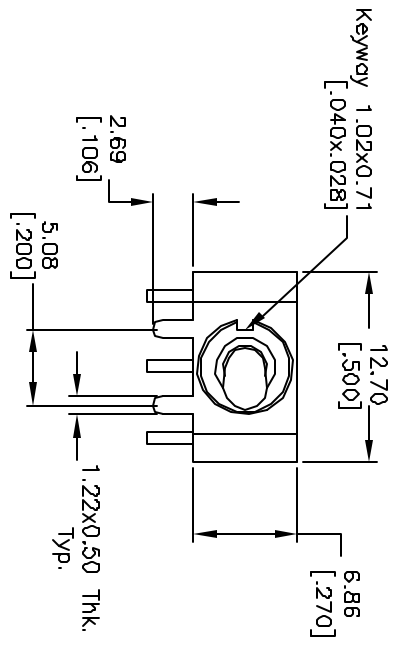


CIRCUIT: SPDT
CONTACT CONFIGURATION

SWITCH FUNCTION		
PDS: 1	PDS: 2	PDS: 3
DN	OFF	DN
2-3	OPEN	2-1



- NOTES:
1. ALL DIMENSIONS IN MM [INCH]
 2. GENERAL TOLERANCE: 0.0=±0.4
0.00=±0.25
 3. TERM. NOS. FOR REF. ONLY
 4. RATING: 5A, @120VAC or 28VDC; 2A, @250VAC.
 5. ELECTRICAL LIFE: 50,000 make-and-break cycles at full load.
 6. INSULATION RESISTANCE: 1,000M ohm min.
 7. DIELECTRIC STRENGTH: 1,000V RMS @sed level.
 8. OPERATING TEMP.: -30°C to 85°C.

REV. A		ECN No. 10364		RELEASED FOR PRODUCTION		TITLE	
DATE		DESCRIPTION		DATE		100 SP-3 T2 B4 M6 Q E	
CHKD		THE INFORMATION CONTAINED IN THIS DOCUMENT IS PROPRIETARY TO E-SWITCH AND IS NOT TO BE COPIED OR TRANSFERRED		SCALE		2:1	
DATE		DATE		DR		MM	
DATE		DATE		DWG		T113039	
DATE		DATE		REV		A	

