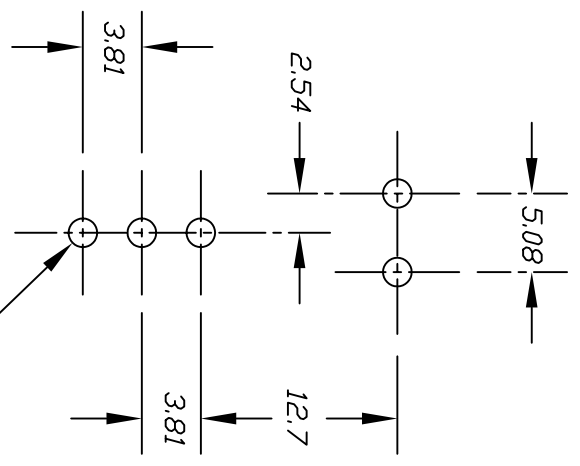
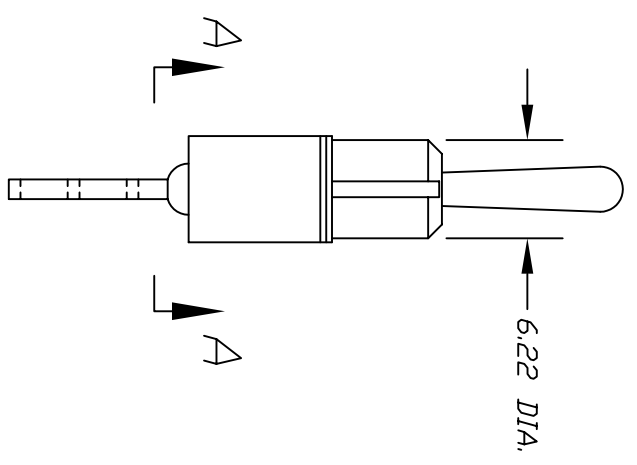
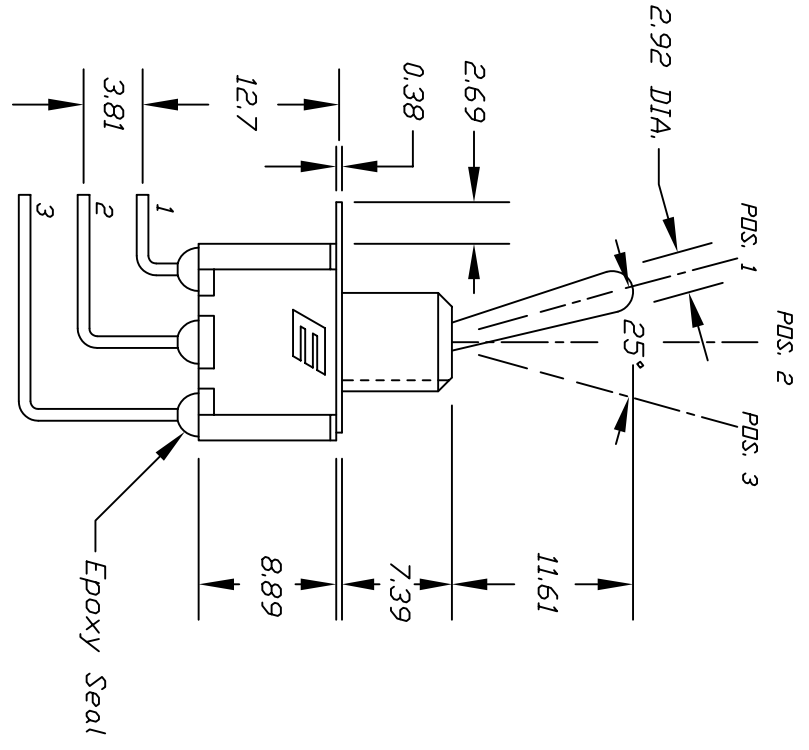
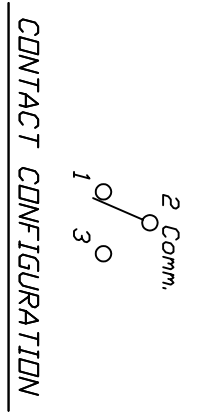


NOTE:
CONTACTS CROPPED
FOR CLARITY



P.C.B. MOUNTING HOLES



CONTACT CONFIGURATION

SWITCH FUNCTION		
POS. 1	POS. 2	POS. 3
DN	NONE	DN
2-3	OPEN	2-1

- NOTES:
1. ALL DIMENSIONS IN MM
 2. TERM. NOS. FOR REF. ONLY

E-SWITCH

100 SP-1 T1 B4 M7 Q E

REV.	DESCRIPTION	DATE	CHKD
A	RELEASED FOR PRODUCTION		

TOLERANCES

0.0	±0.4
0.00	±0.25

SCALE	DATE	DR	DWG	REV
2:1	9/18/96	MM	T111020	A