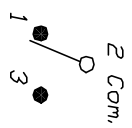


RECOMMENDED P.C.B. LAYOUT

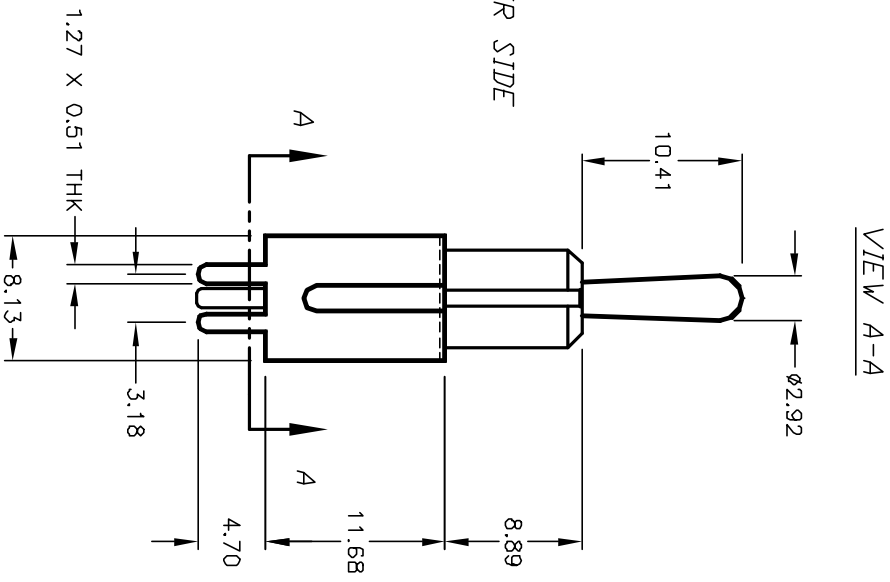
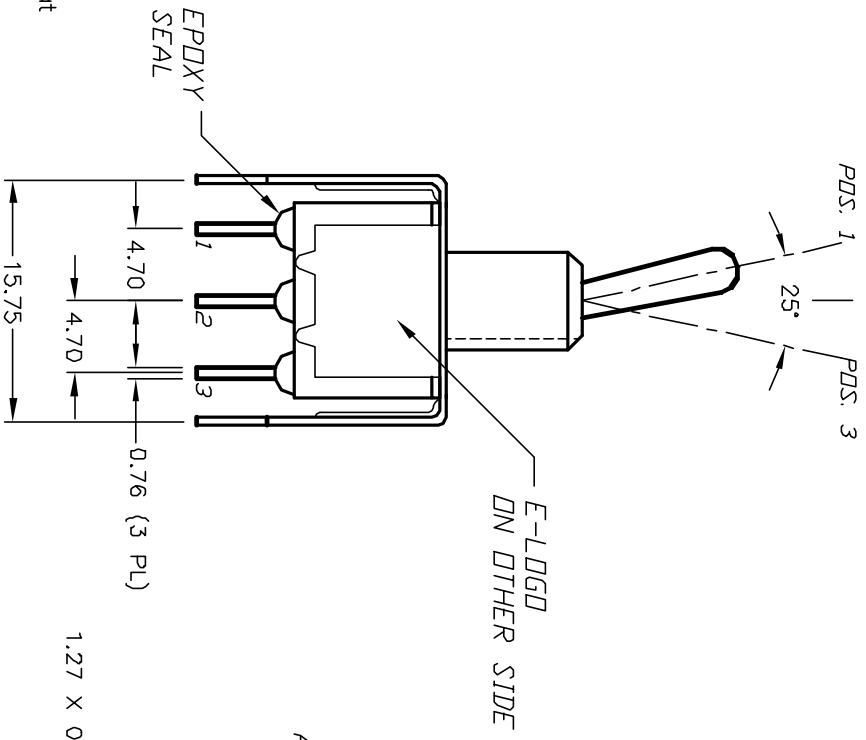
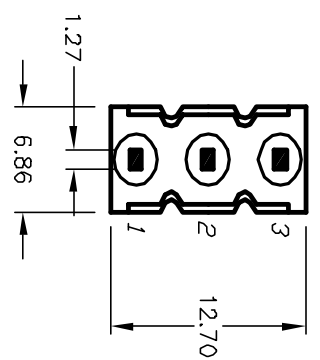
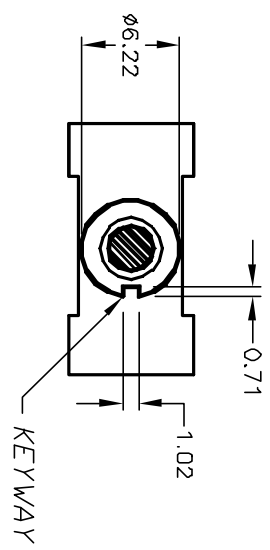


CIRCUIT: SPDT

SWITCH FUNCTION		
POS. 1	POS. 2	POS. 3
DN	NONE	DN
2-3	OPEN	2-1

NOTES:

1. ALL DIMENSIONS IN MM
2. GENERAL TOLERANCE: X.X=±0.4  
X.XX=±0.25
3. TERM. NOS. FOR REF. ONLY
4. RATING: 0.4VA @20V AC or DC max.
5. FIXED TERM. & MOVING CONTACT:  
Copper alloy w/GOLD plate  
over Nickel plate.
6. ELECTRICAL LIFE: 50,000 make-and-break cycles at full load.
7. INSULATION RESISTANCE: 1000M ohm min.
8. DIELECTRIC STRENGTH: 1000V RMS min. @sea level.
9. OPERATING TEMP.: -30°C to +85°C



**E-SWITCH®**

TITLE 100 SP-1 T1 B2 V22 R E (GOLD CONTACTS)

REV.	ECN No.	DESCRIPTION	DATE	CHKD
A	12030	RELEASED FOR PRODUCTION	4/2/02	CJB

SCALE	DATE	DR	DWG	REV
2:1	4/2/02	CB	T111606	A

THE INFORMATION CONTAINED IN THIS DOCUMENT IS PROPRIETARY TO E-SWITCH AND IS NOT TO BE COPIED OR TRANSFERRED