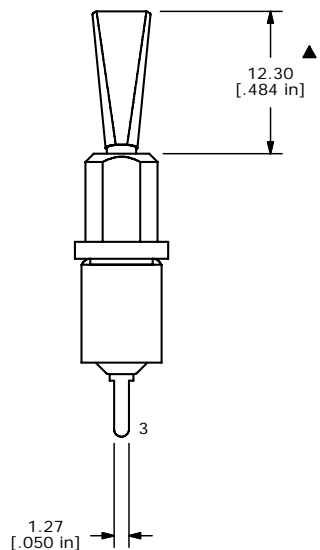
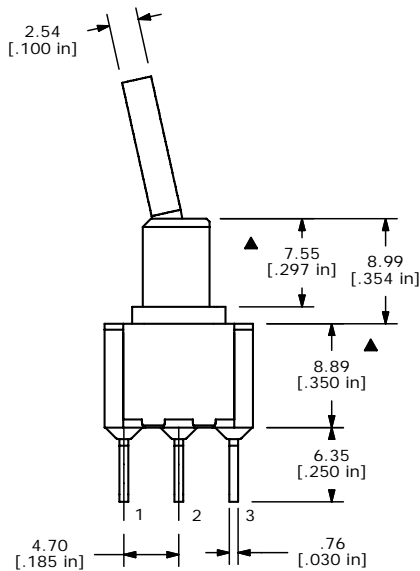
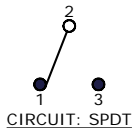


| ▲ SWITCH FUNCTION | | |
|-------------------|--------|--------|
| POS. 1 | POS. 2 | POS. 3 |
| | | |
| ON | NONE | ON |
| 2-3 | OPEN | 2-1 |



- NOTE:
1. ALL DIMENSIONS IN MM [INCH]
 2. GENERAL TOLERANCE: X.X=±0.4
X.XX=±0.25
 3. TERMINAL NUMBERS FOR REF ONLY
 - ▲ 4. PLATING MATERIAL: SILVER
 5. RATING: 5A @ 120 VAC
2A @ 250 VAC
 6. ELECTRIC LIFE: 40,000 MAKE-AND-BREAK CYCLES AT FULL LOAD.
 7. INSULATION RESISTANCE: 1,000 MΩ MIN.
 8. DIELECTRIC STRENGTH: 1,000 V RMS @SEA LEVEL.
 9. OPERATING TEMP.: -30°C to 85°C
 10. ▲ DENOTES CRITICAL PARAMETER.

E-SWITCH®

TITLE 100SP1T6B15M2QE

| | | | | |
|-----|--------|-------------|--------|----|
| A | 15126 | NEW RELEASE | 8/2/05 | RC |
| REV | PCR NO | DESCRIPTION | DATE | BY |

THE INFORMATION CONTAINED IN THIS DOCUMENT IS PROPRIETARY TO E-SWITCH AND IS NOT TO BE COPIED OR TRANSFERRED

| | | | | |
|-----------|---------------|-------|-------------|-------|
| SCALE 2=1 | DATE 8/2/2005 | DR RC | DWG T111609 | REV A |
|-----------|---------------|-------|-------------|-------|