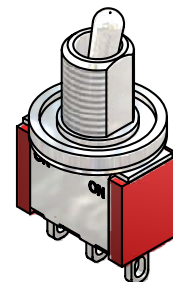
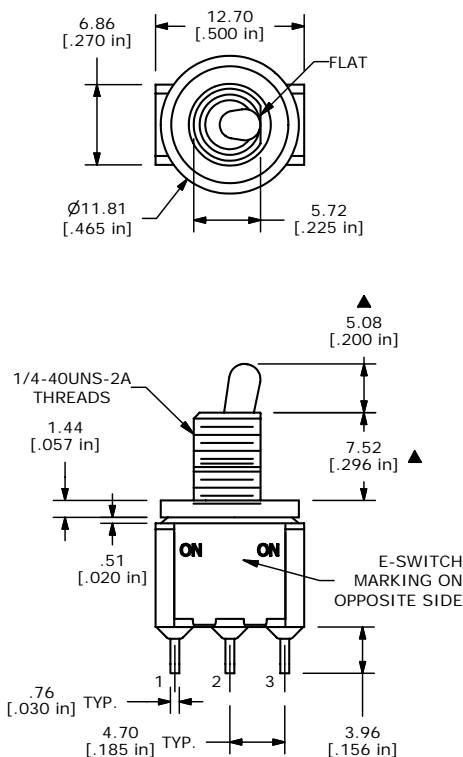
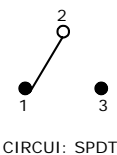
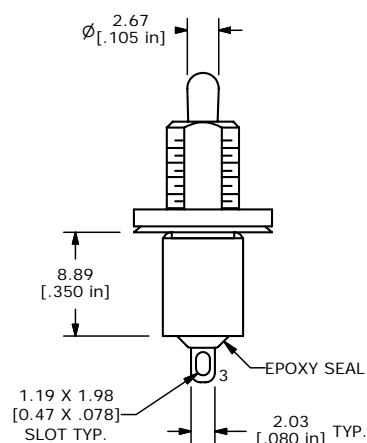


| SWITCH FUNCTION |        |        |
|-----------------|--------|--------|
| POS. 1          | POS. 2 | POS. 3 |
|                 |        |        |
| ON              | NONE   | ON     |
| 2-3             | OPEN   | 2-1    |



ISOMETRIC



- NOTE:
1. ALL DIMENSIONS IN MM [INCH]
  2. GENERAL TOLERANCE: X.X=±0.4  
X.XX=±0.25
  3. TERMINAL NUMBERS FOR REF ONLY
  - ▲4. PLATING MATERIAL: SILVER
  5. RATING: 2Amps @250VAC  
5Amps @120VAC or 28VDC
  6. ELECTRIC LIFE: 40,000 make-and-break cycles at full load.
  7. INSULATION RESISTANCE: 1,000 Mega-ohm min.
  8. DIELECTRIC STRENGTH: 1,000 V RMS @sea level.
  9. OPERATING TEMP.: -30°C to 85°C
  10. ▲ DENOTES CRITICAL PARAMETER.
  11. 2002/95/EC (ROHS) COMPLIANT
  12. HARDWARE TO BE SUPPLIED BULK:  
T100011-LOCK WASHER QTY-1  
T100002-LOCK RING QTY-1  
T100000-HEX NUT QTY-2  
T100016-0-RING QTY-1

|                       |                 |       |              |       |
|-----------------------|-----------------|-------|--------------|-------|
| TITLE 100SP1T2B9M1QEH |                 |       |              |       |
| SCALE 2:1             | DATE 12/18/2006 | DR TN | DWG ST111163 | REV A |

THE INFORMATION CONTAINED IN THIS DOCUMENT IS PROPRIETARY TO E-SWITCH AND IS NOT TO BE COPIED OR TRANSFERRED