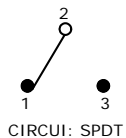


ISOMETRIC

| SWITCH FUNCTION |        |        |
|-----------------|--------|--------|
| POS. 1          | POS. 2 | POS. 3 |
|                 |        |        |
| ON              | NONE   | (ON)   |
| 2-3             | OPEN   | 2-1    |

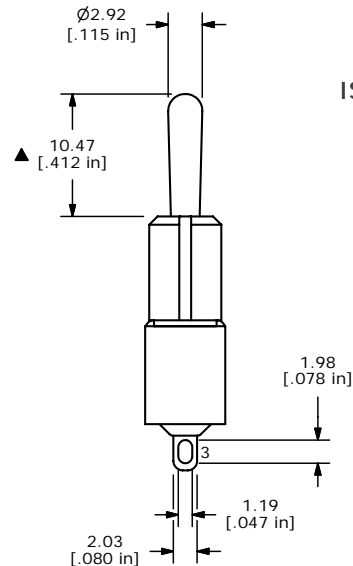
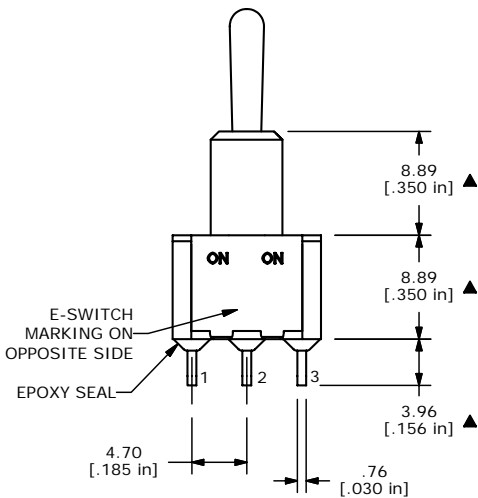
(ON)=MOMENTARY



CIRCUI: SPDT

NOTE:

1. ALL DIMENSIONS IN MM [INCH]
2. GENERAL TOLERANCE: X.X=±0.4  
X.XX=±0.25
3. TERMINAL NUMBERS FOR REF ONLY
- ▲ 4. PLATING MATERIAL: SILVER
5. RATING: 2A @250VAC  
5A @120VAC OR 28VDC
6. ELECTRIC LIFE: 40,000 MAKE-AND-BREAK CYCLES AT FULL LOAD.
7. INSULATION RESISTANCE: 1,000 MEGA-OHM MIN.
8. DIELECTRIC STRENGTH: 1,000 V RMS @SEA LEVEL.
9. OPERATING TEMP.: -30°C to 85°C
10. ▲ DENOTES CRITICAL PARAMETER.



**E-SWITCH®**

TITLE 100SP2T1B2M1QE

|     |        |                         |         |    |
|-----|--------|-------------------------|---------|----|
| A   | 14952  | RELEASED FOR PRODUCTION | 5/26/05 | JB |
| REV | PCR NO | DESCRIPTION             | DATE    | BY |

THE INFORMATION CONTAINED IN THIS DOCUMENT IS PROPRIETARY TO E-SWITCH AND IS NOT TO BE COPIED OR TRANSFERRED

|           |                |       |             |       |
|-----------|----------------|-------|-------------|-------|
| SCALE 2:1 | DATE 5/26/2005 | DR JB | DWG T103012 | REV A |
|-----------|----------------|-------|-------------|-------|