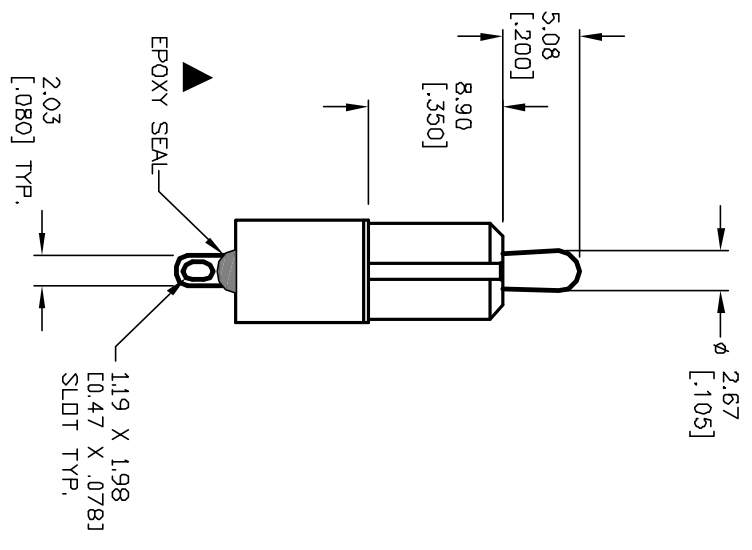
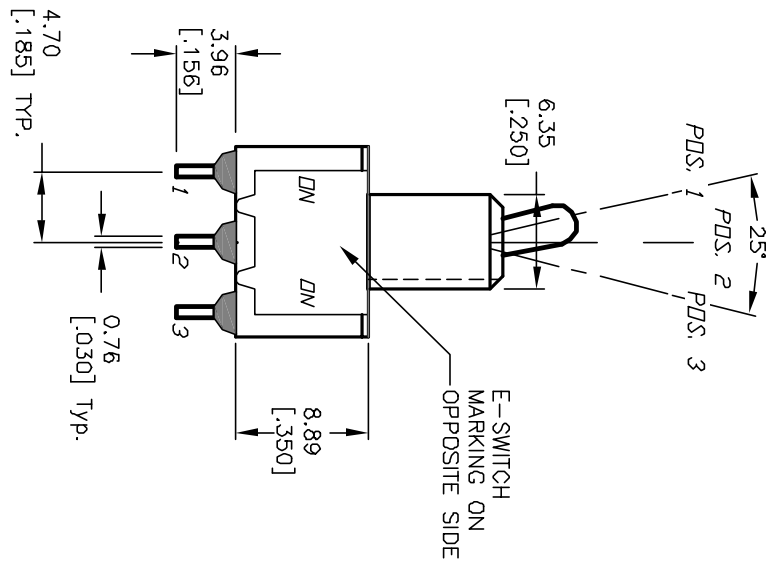
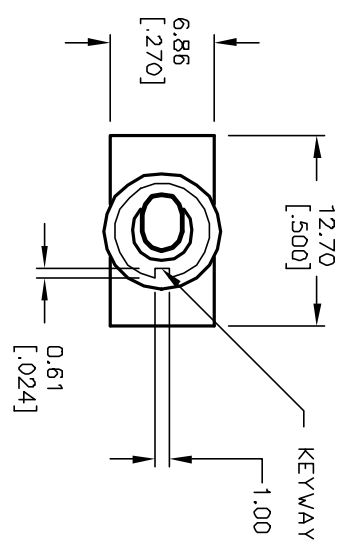


CIRCUIT: SPDT

| SWITCH FUNCTION |        |        |
|-----------------|--------|--------|
| PDS. 1          | PDS. 2 | PDS. 3 |
|                 |        |        |
| DN              | NDNE   | DN     |
| 2-3             | DPEN   | 2-1    |

NOTES:

1. ALL DIMENSIONS IN MM [INCH]
2. GENERAL TOLERANCE: X.X=±0.4  
X.XX=±0.25
3. TERM. NOS. FOR REF. ONLY
4. RATING: 5A @120VAC OR 28VDC  
2A @250VAC
5. ELECTRICAL LIFE: 50,000 make-and-break  
cycles at full load.
6. INSULATION RESISTANCE: 1,000M ohm min.
7. DIELECTRIC STRENGTH: 1000V RMS @sed level
8. OPERATING TEMP.: -30°C to 85°C



|         |       |                      |         |      |
|---------|-------|----------------------|---------|------|
| REV. B  | 12166 | REVISIED AND REDRAWN | 5/20/02 | CJB  |
| ECN No. |       | DESCRIPTION          | DATE    | CHKD |

|                       |       |         |     |         |     |
|-----------------------|-------|---------|-----|---------|-----|
| TITLE                 | SCALE | DATE    | DR  | DWG     | REV |
| 100 SP-1 T2 B2 M1 Q E | 2:1   | 5/20/02 | CJB | T111013 | B   |

THE INFORMATION CONTAINED IN THIS DOCUMENT IS PROPRIETARY TO E-SWITCH AND IS NOT TO BE COPIED OR TRANSMITTED