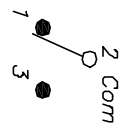
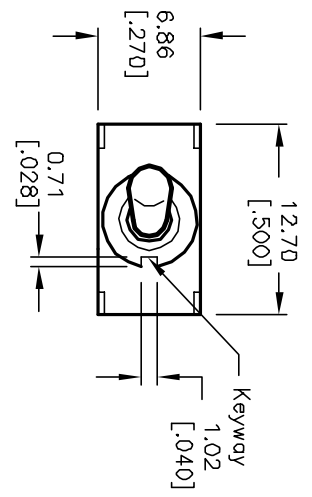


RECOMMENDED P.C.B. LAYOUT

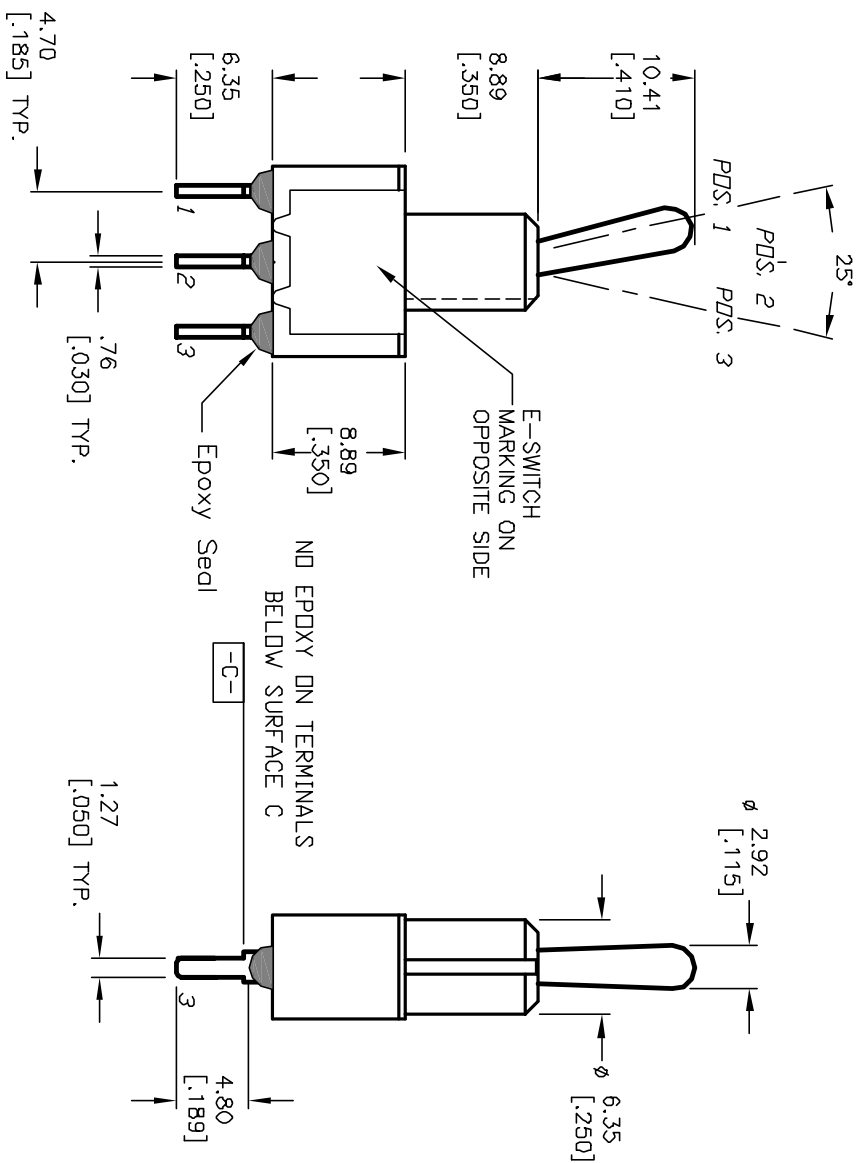


CIRCUIT: SPDT

| SWITCH FUNCTION |        |        |
|-----------------|--------|--------|
| PDS. 1          | PDS. 2 | PDS. 3 |
| DN              | NONE   | DN     |
| 2-3             | OPEN   | 2-1    |

NOTES:

1. ALL DIMENSIONS IN MM [INCH]
2. GENERAL TOLERANCE: X.X=±0.4  
X.XX=±0.25
3. TERM. NDS. FOR REF. ONLY
4. RATING: 5A @120VAC or 28VDC;  
2A @250VAC
5. FIXED TERMINAL/MOVING CONTACT:  
Copper Alloy W/Silver Plate.
6. ELECTRICAL LIFE: 50,000 make-and-break  
cycles at full load.
7. INSULATION RESISTANCE: 1,000M ohm min.
8. DIELECTRIC STRENGTH: 1000V RMS @sea level
9. OPERATING TEMP.: -30°C to +85°C



**E-SWITCH®**

|      |         |                         |          |       |
|------|---------|-------------------------|----------|-------|
| REV. | ECN No. | DESCRIPTION             | DATE     | CHK'D |
| A    | 12598   | RELEASED FOR PRODUCTION | 11/27/02 | CJB   |

|                       |       |          |     |         |     |
|-----------------------|-------|----------|-----|---------|-----|
| TITLE                 | SCALE | DATE     | DR  | DWG     | REV |
| 100 SP-1 T1 B2 M2 Q E | 2:1   | 11/27/02 | CJB | T110022 | A   |

THE INFORMATION CONTAINED IN THIS DOCUMENT IS PREPARED FOR THE SWITCH AND IS NOT TO BE COPIED OR TRANSMITTED