

CATALOG LISTING
4NT1 SERIES CHART 1

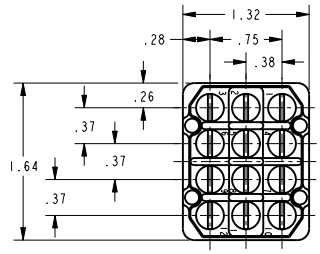
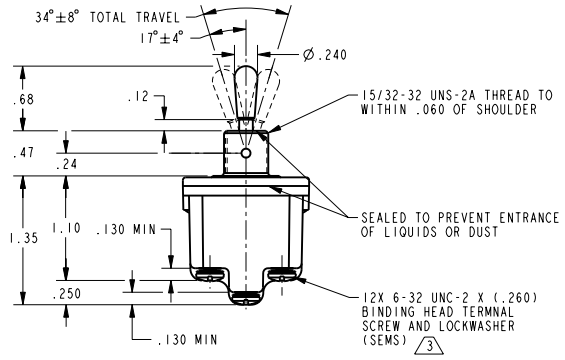
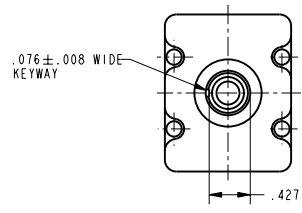
ISSUE	5	OF	5
REVISIONS	A CO-94361 28 MAR 88		
	B 203550 1 AUG 91		
PTC/CAD	20	DRAWN	
MAM	1 APR 91	CHECK	DAW
	3 APR 91	CHECK NOS	4 APR 91

MICRO SWITCH
a Honeywell Division
FED. MFG. CODE 91929

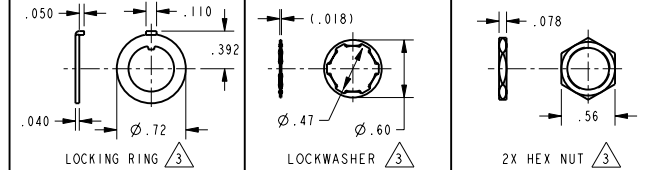
SWITCH - TOGGLE

CATALOG LISTING
4NT1 SERIES CHART 1

THIS DRAWING COVERS A PROPRIETARY ITEM AND IS THE PROPERTY OF MICRO SWITCH, A DIVISION OF HONEYWELL. THIS DRAWING IS NOT TO BE COPIED OR USED WITHOUT THE APPROVAL OF MICRO SWITCH



CATALOG LISTING	CIRCUIT MADE WITH TOGGLE LEVER IN			ELECTRICAL DATA
	KEYWAY SIDE (1-2, 4-5, 7-8, 10-11)	CENTER (11-2, 4-5, 7-8, 10-11)	OPPOSITE KEYWAY (2-3, 5-6, 8-9, 11-12)	
4NT1-1	ON	OFF	ON	L191 15A 125, 250, 277 VAC 1/2HP 125 VAC 1HP 250, 277 VAC 5A 125 VAC "L"
4NT1-2	OFF	NONE	ON	
4NT1-3	ON	NONE	ON	
(B)	NONE	OFF	ON	L192 10A 125, 250, 277 VAC 1/4HP 125 VAC 1/2HP 250, 277 VAC 3A 125 VAC "L"
(B)	NONE	ON	ON	
(B)	MOM OFF	NONE	ON	
4NT1-5	MOM ON	OFF	ON	
4NT1-6	MOM ON	NONE	OFF	
4NT1-7	MOM ON	OFF	MOM ON	
4NT1-8	MOM ON	NONE	ON	
(B)	NONE	ON	MOM ON	
4NT1-61	MOM ON	OFF	NONE	



- NOTES
- SWITCHES ARE CAPABLE OF WITHSTANDING A TEMPERATURE OF 160°F CONTINUOUSLY AT FULL RATED LOAD
 - MICRO SWITCH CATALOG LISTING MARKED ON SIDE OF SWITCH FURNISHED UNASSEMBLED
 - APPLIES ONLY TO "ON" AND "MOM ON" POSITIONS

THIRD ANGLE PROJECTION
SCALE FULL
DO NOT SCALE PRINT
UNLESS OTHERWISE SPECIFIED TOLERANCES ARE
ONE PLACE (.01) ±.030
TWO PLACE (.00) ±.015
THREE PLACE (.000) ±.005
ANGLES ±
WEIGHT

ANSI Y14.5M-1982 APPLIES