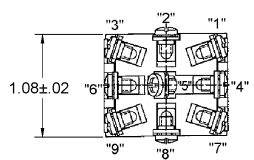
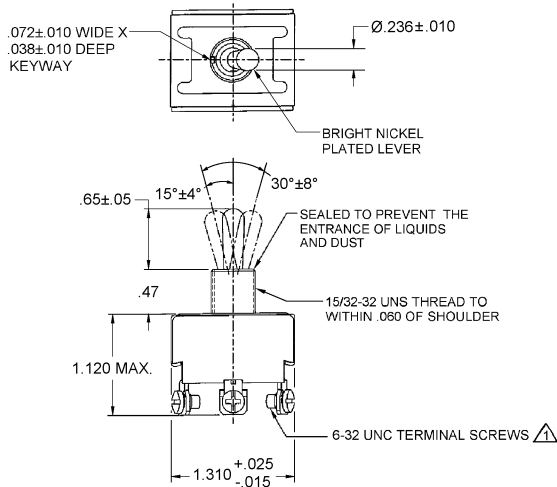


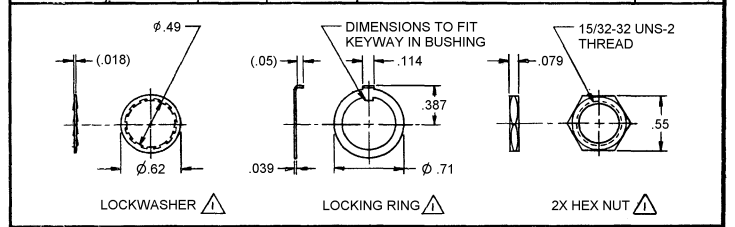
HONEYWELL
PART NUMBER
SEE TABLE

CATALOG LISTING
13TS15 SERIES
CHART 1

REV	DOCUMENT	CHANGED BY	CHECK
A	0057320	KNR 10NOV09	CMH



CAT. LIST.	CIRCUIT WITH TOGGLE IN			ELECTRICAL DATA
	EXTREME POSITION KEYWAY 1-2, 4-5, 7-8	CENTER	EXTREME POSITION OPPOSITE 2-3, 5-6, 8-9	
13TS15-1	ON	OFF	ON	18A 125VAC . 10A 250 VAC 3/4 HP 125/250 VAC
13TS15-2	OFF	NONE	ON	
13TS15-3	ON	NONE	ON	
13TS15-7	MOM ON	OFF	MOM ON	



NOTES:
 1 - FURNISHED UNASSEMBLED
 2 - VISUAL DIFFERENCES IN TERMINAL SHAPES AND PLATING POSSIBLE

DESIGN UNITS: INCH
TOLERANCES UNLESS NOTED:

NO PLACES	X	±	-
ONE PLACE	.X	±	.030
TWO PLACE	.XX	±	.015
THREE PLACE	.XXX	±	.005
ANGLES	X	±	3'

THIRD ANGLE PROJECTION

DRAWN	KNR	24SEP09
CHECK	DVM	24SEP09
THIS DRAWING COVERS A PROPRIETARY ITEM AND IS THE PROPERTY OF HONEYWELL. THIS DRAWING IS NOT TO BE COPIED OR USED WITHOUT THE PERMISSION OF HONEYWELL.		
INTERPRET PER ASME Y14.5M-1994 OTHER HONEYWELL ENGINEERING STANDARDS MAY APPLY		
RASTER		

Honeywell			
TITLE SWITCH - TOGGLE			
SIZE	TYPE	CAGE CODE	DRAWING NAME
B	I	-	13TS15
SCALE	NONE		SHEET 1 OF 1