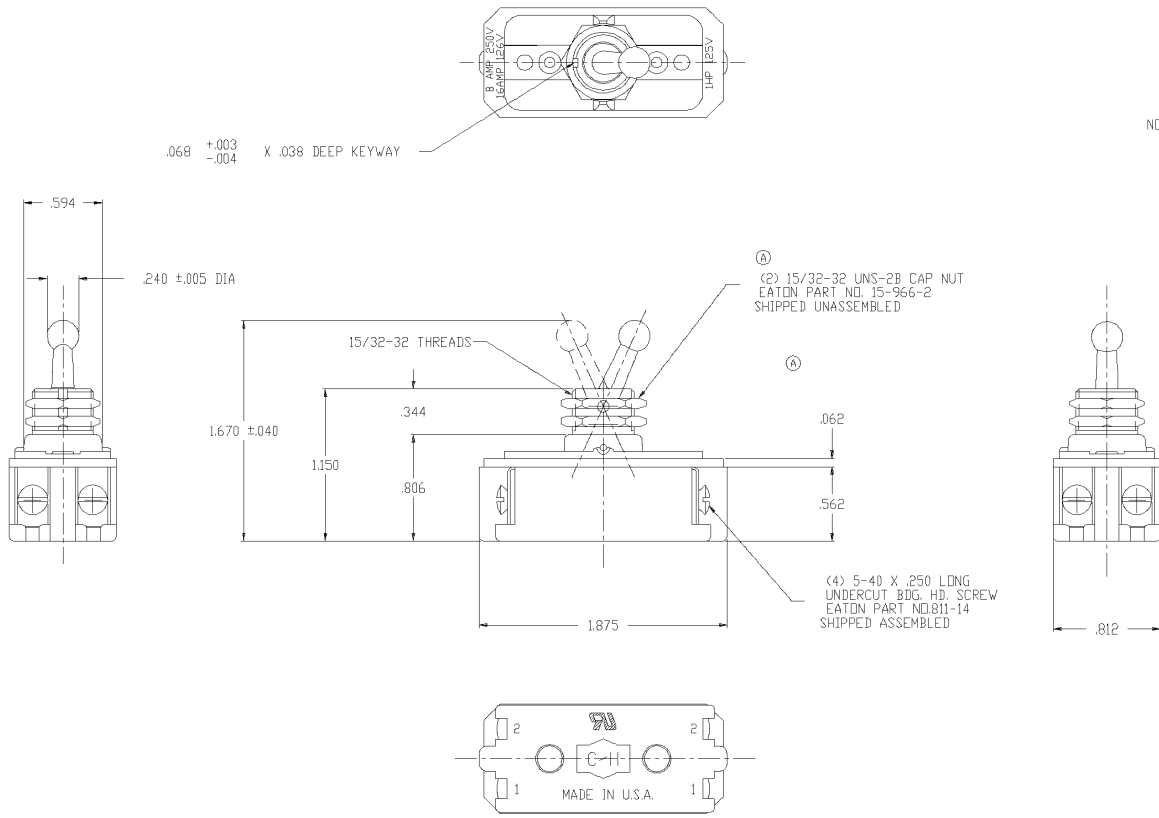


B 91-285



NOTE: 1. UNLESS OTHERWISE SPECIFIED ALL TOLERANCES TO BE ±.016.

ORDER NO. 93719950

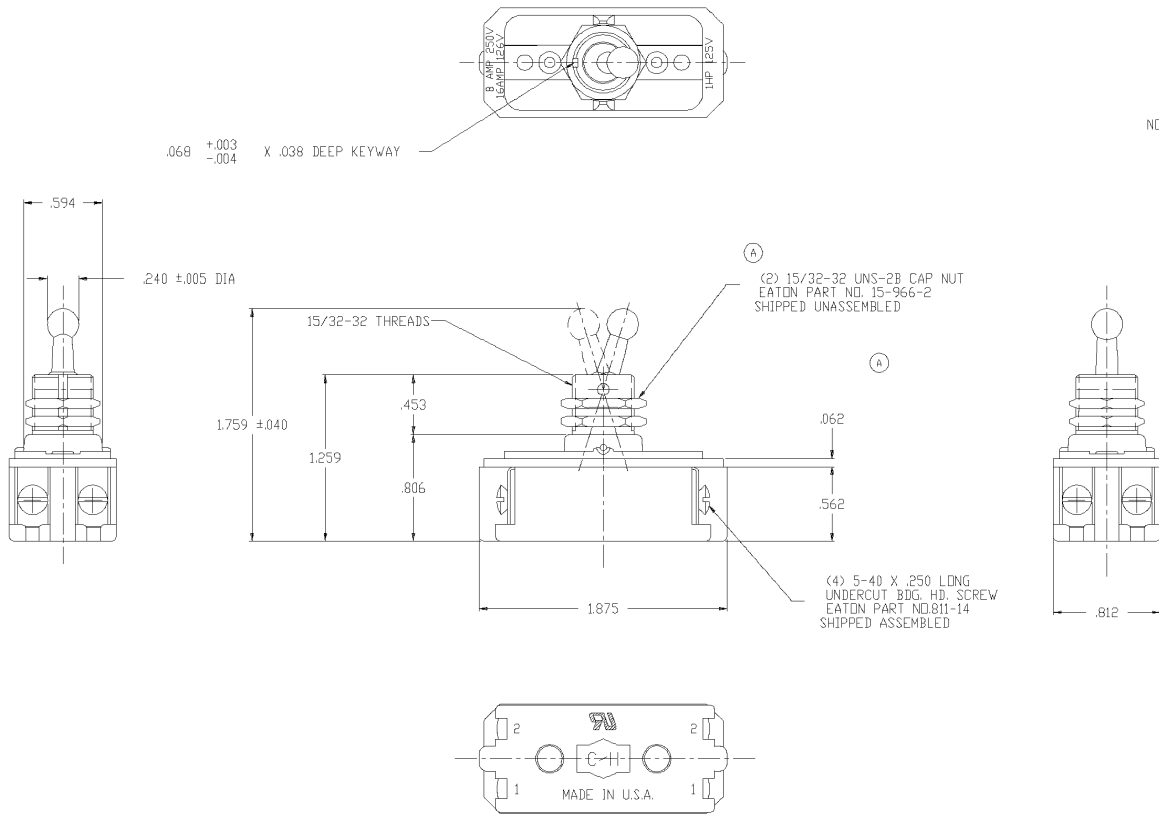
A	REMOVED 15-192 NUT NOTE, ADDED (2) TO 15-966-2 NUT NOTE.	6/29/94	D
B			E
C			F



TITLE: DOUBLE POLE BA 250V/16A 125V ONE HOLE MTD. TODL HANDLE TOGGLE SWITCH			
DR.	W. LEONARD	1/16/92	SURFACE COATING
CHK.	WESTEMEIER	1/22/92	SCALE
APP.	M.R. DUMMER	1/22/92	DO NOT SCALE DRAWING
			FIRST ASSEN. WHERE LISTED 7320K12
			SUP'S
			SUP'D BY

Property of Tyco Electronics Corporation March, 2001  
 CUSTOMER DRWG: 1520135 REV: 99 PG 1 OF 2

B 91-284



NOTE: 1. UNLESS OTHERWISE SPECIFIED ALL TOLERANCES TO BE  $\pm 0.016$ .

ORDER NO. 93719950

A	REMOVED 15-192 NUT NOTE, ADDED (2) TO 15-966-2 NUT NOTE.	6/29/94	D
B			E
C			F



TITLE: DOUBLE POLE BA 250V/16A 125V ONE HOLE MTD. TODL HANDLE TOGGLE SWITCH			
DR: W. LEONARD	1/16/92	SURFACE COATING	FIRST ASSEN. WHERE LISTED 7320K13
CHK: WESTEMEIER	1/22/92	SCALE	SUP'S
APP: M.R. DUMMER	1/22/92	DO NOT SCALE DRAWING	SUP'D BY

Property of Tyco Electronics Corporation March, 2001  
 CUSTOMER DRWG: 1520135 REV: 99 PG 2 OF 2