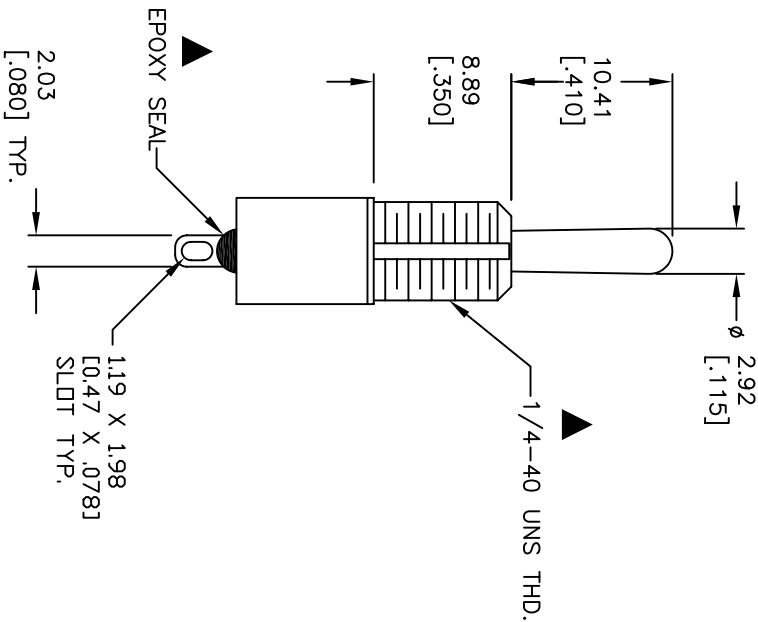
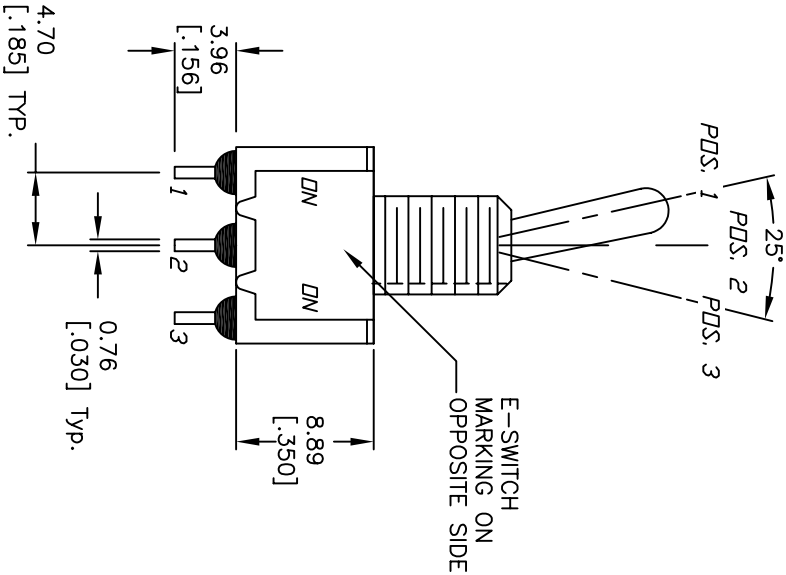
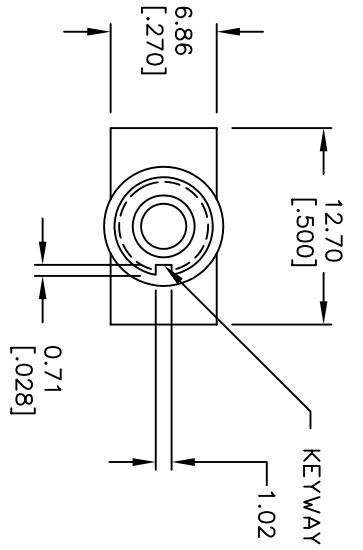


CIRCUIT: SPDT

SWITCH FUNCTION		
PQS. 1	PQS. 2	PQS. 3
DN	NDNE	DN
2-3	OPEN	2-1

NOTES:

1. ALL DIMENSIONS IN MM [INCH]
2. GENERAL TOLERANCE: X.XX=±0.4  
X:XX=±0.25
3. TERM. NOS. FOR REF. ONLY
4. RATING: 0.4VA @20V AC or DC
5. FIXED TERMINAL/MOVING CONTACT:  
Copper Alloy /w Gold plate over Nickel plate.
6. ELECTRICAL LIFE: 50,000 make-and-break cycles at full load.
7. INSULATION RESISTANCE: 1,000M ohm min.
8. DIELECTRIC STRENGTH: 1000V RMS @sea level
9. OPERATING TEMP.: -30°C to 85°C
10. 2002/95/EC (ROHS) COMPLIANT
11. HARDWARE TO BE SUPPLIED BULK:  
T100011-LOCK WASHER QTY-1  
T100015-LOCK RING QTY-1  
T100000-HEX NUT QTY-2



**E-SWITCH®**

100 SP-1 T1 B1 M1 R E H (GOLD CONTACTS)

REV.	ECN No.	DESCRIPTION	DATE	CHKD
A	15511	RELEASED FOR PRODUCTION	11/8/05	PH

TITLE	SCALE	DATE	DR	DWG	REV
100 SP-1 T1 B1 M1 R E H (GOLD CONTACTS)	2:1	11/8/05	PH	ST111032	A

THE INFORMATION CONTAINED IN THIS DOCUMENT IS PROPRIETARY TO E-SWITCH AND IS NOT TO BE COPIED OR TRANSFERRED