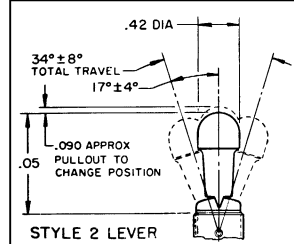
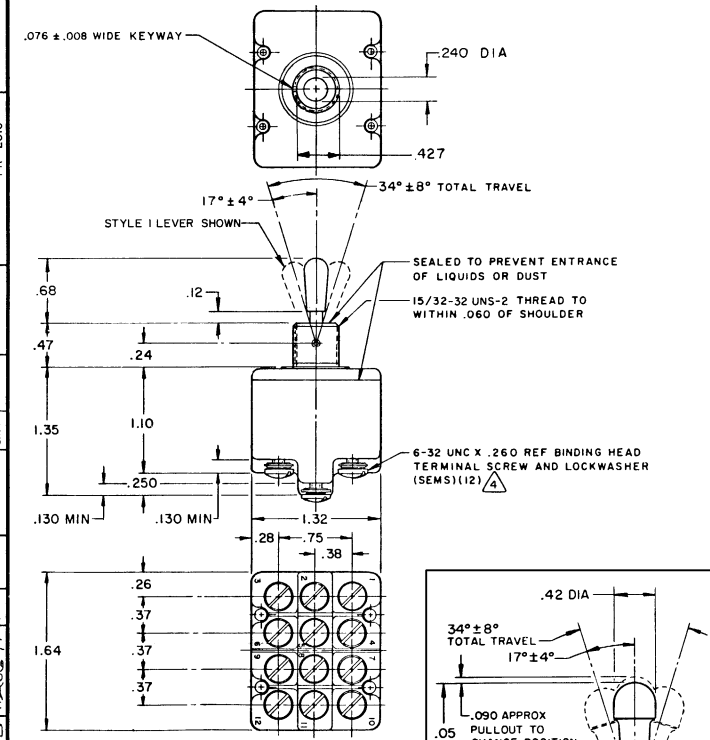


4 TL1-10 SERIES
 DRAWING NUMBER: M
 PAGE 1 OF 1 CHART
 ISSUE: 10
 REVISIONS:
 A CO-8950
 B 94440
 C 187
 D 23 NOV 99
 DRAWN: R.E.R.
 CHECK: J.AUG. 7/1
 DATE: AUG 7/1
 FORMTEK

MICRO SWITCH
 FREEPORT, ILLINOIS, U.S.A.
 A DIVISION OF HONEYWELL
 FED. MFG. CODE 91929

CATALOG LISTING
4 TL1-10 SERIES
CHART 1

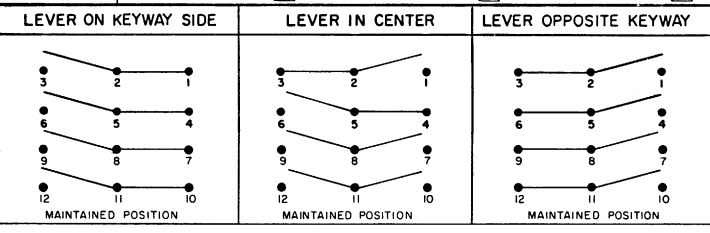
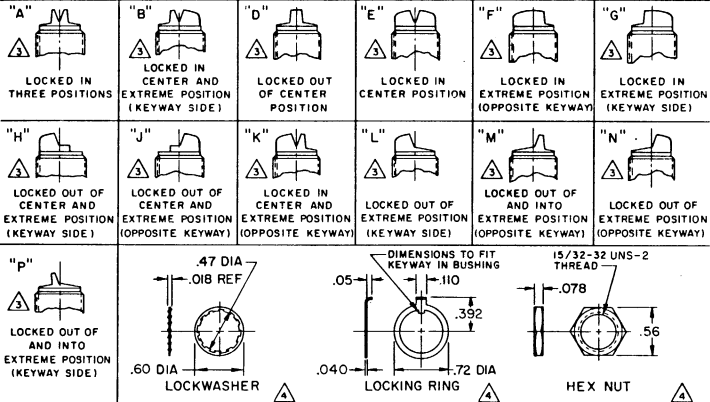
THIS DRAWING COVERS A PROPRIETARY ITEM AND IS THE PROPERTY OF MICRO SWITCH, A DIVISION OF MINNEAPOLIS HONEYWELL REGULATOR CO. THIS DRAWING IS NOT TO BE COPIED OR USED WITHOUT THE APPROVAL OF MICRO SWITCH.



SCALE: FULL
 DO NOT SCALE PRINT
 UNLESS OTHERWISE NOTED
 DIMENSIONS ARE IN INCHES
TOLERANCES ARE:
 ONE PLACE .10; .030
 TWO PLACE .00; .015
 THREE PLACE .000; .005
 ANGLES .008
 WEIGHT

L191 15A 125, 250, 277 VAC
 1/2HP 125 VAC
 1HP 250, 277 VAC
 5A 125 VAC "L"

CAT. LIST.	AVAILABLE LOCKING COMBINATIONS FOR CONFIGURATION SEE LETTERED DETAILS	STYLE NO.	MILITARY RATING (AMPS)						MS NUMBER			
			RESISTIVE LOAD DC VOLTS	RESISTIVE LOAD AC VOLTS	LAMP LOAD VDC	LAMP LOAD VAC	INDUCTIVE LOAD VDC	INDUCTIVE LOAD VAC				
4TL1-10	NONE	1	20	.75	.5	15	6	7	4	12	15	
4TL1-10/A	A,B,E,L,M,P,D,F,G,H,J,K,N	2										



NOTES
 1 - SWITCHES ARE CAPABLE OF WITHSTANDING A TEMPERATURE OF 160°F CONTINUOUSLY AT FULL RATED LOAD
 2 - CIRCUIT DESIGNATION AND MICRO SWITCH CATALOG LISTING MARKED ON SIDE OF SWITCH
 KEYWAY SHOWN ON LEFT SIDE
 3 - FOR TERMINAL COVER SEE MICRO SWITCH CATALOG LISTING 5PA9
 SUFFIX LETTER MUST BE ADDED FOR DESIRED TYPE TOGGLE LOCKING. SEE CHART FOR AVAILABLE LOCKING COMBINATIONS