

4TL1-12 SERIES  
PAGE 1 OF 1 CHART 1

ISSUE 9

REVISIONS  
A CO-8150  
20 JAN 99  
B 94440  
6 SEP 99  
23 NOV 99

FORMTEK  
DRAWN  
M.J.B. 16 SEPT 71  
CHECKED  
L.S.D. 20 SEP 71  
CHECKED  
E.F.B. 20 SEP 71

REPLACES

RELEASE NO. PR-2093

CHECK

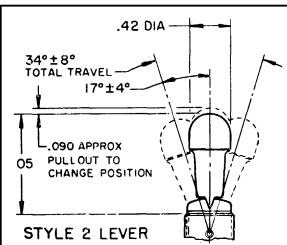
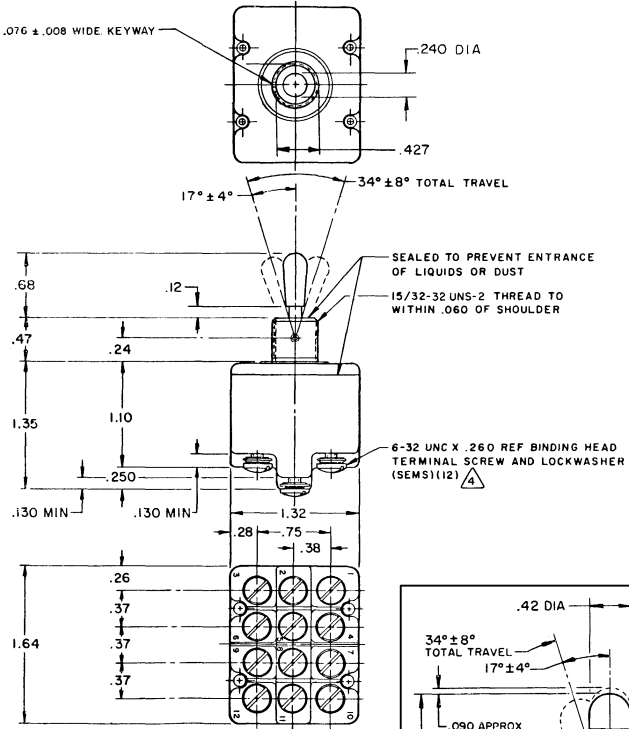
CHECK

**MICRO SWITCH**  
FREEPORT, ILLINOIS, U.S.A.  
A DIVISION OF HONEYWELL  
FED. MFG. CODE 91924

SWITCH-BASIC

CATALOG LISTING  
**4TL1-12 SERIES**  
CHART 1

THIS DRAWING COVERS A PROPRIETARY ITEM AND IS THE PROPERTY OF MICRO SWITCH, A DIVISION OF MINNEAPOLIS-HONEYWELL REGULATOR CO. THIS DRAWING IS NOT TO BE COPIED OR USED WITHOUT THE APPROVAL OF MICRO SWITCH.



STYLE 2 LEVER  
L191 15A 125, 250, 277 VAC  
1/2HP 125 VAC  
1HP 250, 277 VAC  
5A 125 VAC "L"



CAT. LIST.	AVAILABLE LOCKING COMBINATIONS FOR CONFIGURATION SEE LETTERED DETAILS	STYLE NO.	MILITARY RATING (AMPS)						MS NUMBER			
			RESISTIVE LOAD DC VOLTS	IAC VOLTS	LAMP LOAD 28 VDC	INDUCTIVE LOAD 125 VAC	CONTINUOUS					
4TL1-12	NONE	1	20	75	5	15	6	5	4	12	15	27406-1
△ 4TL1-12	A,B, D,E,F,G,H,J,K,L,M,N,P	2										27409-1

"A"	"B"	"D"	"E"	"F"	"G"
LOCKED IN THREE POSITIONS	LOCKED IN CENTER AND EXTREME POSITION (KEYWAY SIDE)	LOCKED OUT OF CENTER POSITION	LOCKED IN CENTER POSITION	LOCKED IN EXTREME POSITION (OPPOSITE KEYWAY)	LOCKED IN EXTREME POSITION (KEYWAY SIDE)
"H"	"J"	"K"	"L"	"M"	"N"
LOCKED OUT OF CENTER AND EXTREME POSITION (KEYWAY SIDE)	LOCKED OUT OF CENTER AND EXTREME POSITION (OPPOSITE KEYWAY)	LOCKED IN CENTER AND EXTREME POSITION (OPPOSITE KEYWAY)	LOCKED OUT OF EXTREME POSITION (KEYWAY SIDE)	LOCKED OUT OF EXTREME POSITION (OPPOSITE KEYWAY)	LOCKED OUT OF EXTREME POSITION (OPPOSITE KEYWAY)
"P"	 47 DIA .018 REF .60 DIA LOCKWASHER		 DIMENSIONS TO FIT KEYWAY IN BUSHING .05 .110 .392 .72 DIA LOCKING RING		 15/32-32 UNS-2 THREAD .078 .56 HEX NUT (2)
LOCKED OUT OF AND INTO EXTREME POSITION (KEYWAY SIDE)					

LEVER ON KEYWAY SIDE	LEVER IN CENTER	LEVER OPPOSITE KEYWAY
MAINTAINED POSITION	MAINTAINED POSITION	MAINTAINED POSITION

NOTES  
 1 - SWITCHES ARE CAPABLE OF WITHSTANDING A TEMPERATURE OF 160°F CONTINUOUSLY AT FULL RATED LOAD  
 2 - CIRCUIT DESIGNATION AND MICRO SWITCH CATALOG LISTING MARKED ON SIDE OF SWITCH  
 KEYWAY SHOWN ON LEFT SIDE  
 △ FURNISHED UNASSEMBLED  
 5 - FOR TERMINAL COVER SEE MICRO SWITCH CATALOG LISTING 5PA9  
 △ SUFFIX LETTER MUST BE ADDED FOR DESIRED TYPE TOGGLE LOCKING. SEE CHART FOR AVAILABLE LOCKING COMBINATIONS