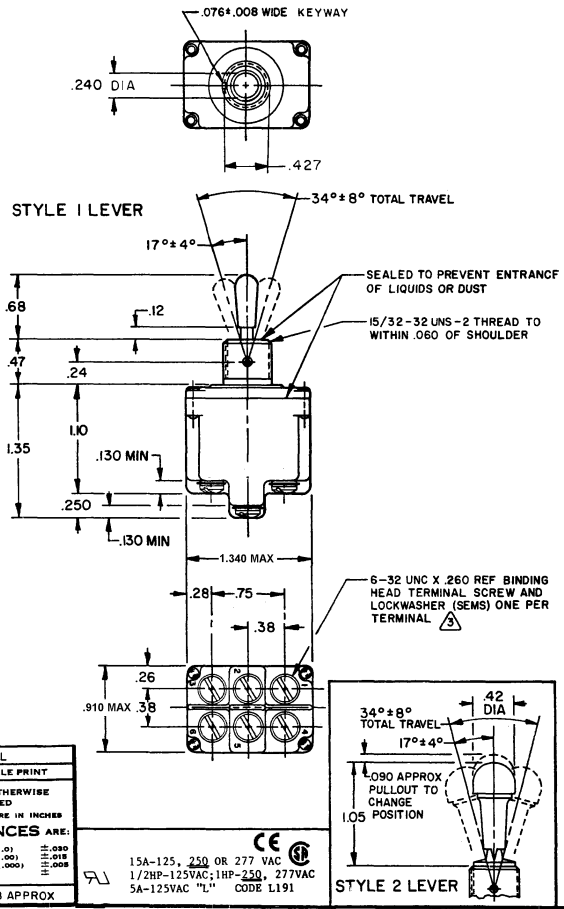


**MICRO SWITCH**  
 FREEPORT, ILLINOIS, U.S.A.  
 A DIVISION OF HONEYWELL  
 FED. MFG. CODE 91829

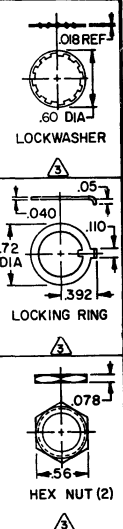
**SWITCH-TOGGLE**  
 CATALOG LISTING  
**2TL1-10 SERIES**  
**CHART 1**

MILITARY STANDARD NUMBER	CATALOG LISTING	AVAILABLE LOCKING COMBINATIONS FOR CONFIGURATION SEE LETTERED DETAILS	STYLE NUMBER	MILITARY RATING (AMPS)								
				RESISTIVE LOAD		LAMP LOAD		INDUCTIVE LOAD				
				DC VOLTS	AC VOLTS	28 VDC	125 VAC	25 VDC	125 VAC			
27407-4	2TL1-10	NONE	1	20	.75	.5	15	6	7	4	15	15
27408-4	2TL1-10	A,B,D,E,F,G,H,J,K,L,M,N,P	2									

THIS DRAWING COVERS A PROPRIETARY ITEM AND IS THE PROPERTY OF MICRO SWITCH, A DIVISION OF HONEYWELL. THIS DRAWING IS NOT TO BE COPIED OR USED WITHOUT THE APPROVAL OF MICRO SWITCH.



CIRCUIT MADE WITH TOGGLE LEVER IN					
KEYWAY SIDE	CENTER	OPPOSITE KEYWAY			
MAINTAINED POSITION	MAINTAINED POSITION	MAINTAINED POSITION			



- NOTES**
- SWITCHES ARE CAPABLE OF WITHSTANDING A TEMPERATURE OF 160°F CONTINUOUSLY AT FULL RATED LOAD
  - CIRCUIT DESIGNATION, MICRO SWITCH CATALOG LISTING AND MS NUMBER MARKED ON SIDE OF SWITCH
  - FURNISHED UNASSEMBLED
  - FOR TERMINAL COVER SEE MICRO SWITCH CAT. LIST. 5PA8
  - KEYWAY SHOWN ON LEFT SIDE
  - SUFFIX LETTER MUST BE ADDED FOR DESIRED TYPE OF TOGGLE LOCKING. SEE CHART FOR AVAILABLE LOCKING COMBINATIONS
  - THESE SWITCHES ARE QUALIFIED UNDER MIL-S-3950

CATALOG LISTING  
**2TL1-10 SERIES CHART 1**  
 ISSUE 4  
 RELEASE NO. CO-78465 REPLACES 2TL1-10 SERIES  
 REVISIONS  
 A 0407 23 JUL 84  
 B 0402 23 JUL 84  
 C 0003011 10 JUN 94  
 DRAWN  
 KDR 10 JUN 94  
 CHECK  
 KAG 23 JUN 94  
 CHECK  
 MDM 06 FEB 04  
 FORMTEK

SCALE FULL  
 DO NOT SCALE PRINT  
 UNLESS OTHERWISE NOTED  
 DIMENSIONS ARE IN INCHES  
**TOLERANCES ARE:**  
 ONE PLACE (.01) ±.030  
 TWO PLACE (.005) ±.010  
 THREE PLACE (.000) ±.005  
 ANGLES 1/16° ±.008

CE  
 15A-125, 250 OR 277 VAC  
 1/2HP-125VAC; 1HP-250, 277VAC  
 5A-125VAC "L" CODE L191

