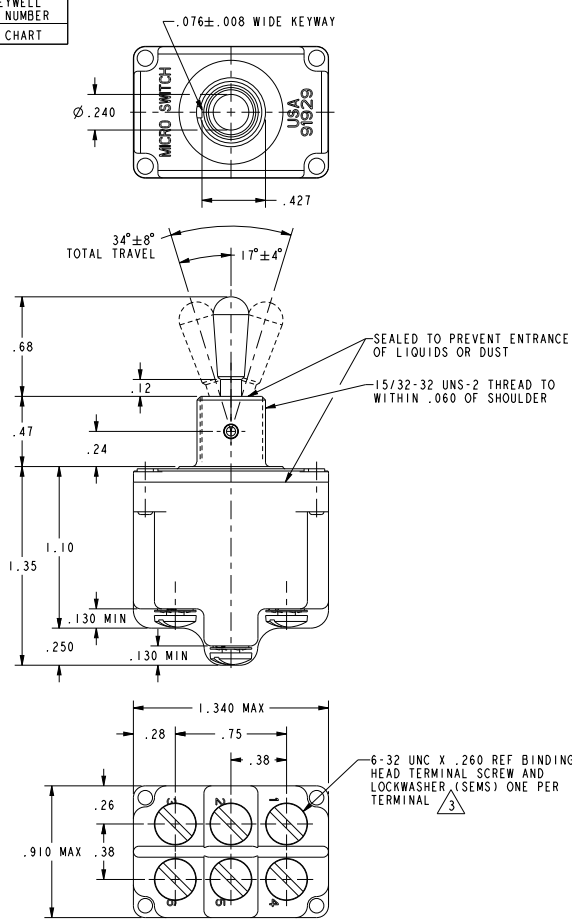
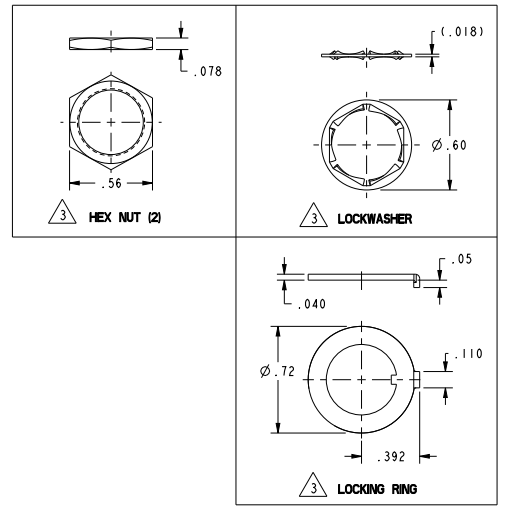


HONEYWELL
PART NUMBER
SEE CHART

REV	DOCUMENT	CHANGED BY	CHECK
29	0056412	SJK	10SEP09 CMH
REDRAWN WITHOUT CHANGE IN PRO-E			



MILITARY STANDARD NUMBER	CATALOG LISTING	CIRCUIT MADE WITH TOGGLE LEVER IN			MILITARY RATING (AMPS)								
		KEYWAY SIDE (1-2, 4-5)	CENTER (1-2, 4-5)	OPPOSITE KEYWAY (2-3, 5-6)	RESISTIVE LOAD				LAMP LOAD		INDUCTIVE LOAD		
					DC VOLTS	AC VOLTS	28 VDC	125 VAC	28 VDC	125 VAC			
24524-21	2TL1-1	ON	OFF	ON	20	.75	.5	15	6	7	4	15	15
24524-22	2TL1-2	OFF	NONE	ON									
24524-23	2TL1-3	ON	NONE	ON									
24524-24	2TL1-21	NONE	OFF	ON									
24524-24	2TL1-21	NONE	OFF	ON	(REFER TO L191 FOR UL RATING)								
24524-33	2TL1-31	NONE	ON	ON	18	.75	.5	11	6	5	2	10	8
24524-29	2TL1-4	MOM OFF	NONE	ON									
24524-31	2TL1-5	MOM ON	OFF	ON									
24524-30	2TL1-6	MOM ON	NONE	OFF									
24524-27	2TL1-7	MOM ON	OFF	MOM ON	(REFER TO L192 FOR UL RATING)								
24524-26	2TL1-8	MOM ON	NONE	ON									
24524-32	2TL1-51	NONE	ON	MOM ON									
24524-28	2TL1-61	MOM ON	OFF	NONE									



- NOTES:
- SWITCHES ARE CAPABLE OF WITHSTANDING A TEMPERATURE OF 160°F CONTINUOUSLY AT FULL RATED LOAD.
 - CIRCUIT DESIGNATION, MICRO SWITCH CATALOG LISTING AND "MS" NUMBER MARKED ON SIDE OF SWITCH.
 - FURNISHED UNASSEMBLED.
 - FOR TERMINAL COVER SEE MICRO SWITCH CATALOG LISTING 5PAB.
 - APPLIES ONLY TO "ON" AND "MOMENTARY ON" POSITIONS.
 - THESE SWITCHES ARE QUALIFIED UNDER MIL-S-3950.

15A-125, 250 OR 277VAC 1/2 HP-125VAC; 1HP-250, 277VAC 5A-125VAC "L" CODE L191	CE	UL
10A-125, 250 OR 277VAC 1/4HP-125VAC; 1/2HP-250, 277VAC 3A-125VAC "L" CODE L192	CE	UL

DESIGN UNITS: INCH TOLERANCES UNLESS NOTED:	DRAWN: JJA 27FEB96 CHECK: JJA 27FEB96	Honeywell TITLE: SWITCH - TOGGLE
NO PLACES: X ± ONE PLACE: .X ± TWO PLACE: .XX ± THREE PLACE: .XXX ± ANGLES: X ±	THIS DRAWING COVERS A PROPRIETARY ITEM AND IS THE PROPERTY OF HONEYWELL. THIS DRAWING IS NOT TO BE COPIED OR USED WITHOUT THE PERMISSION OF HONEYWELL.	
THIRD ANGLE PROJECTION	INTERPRET PER ASME Y14.5M-1994 OTHER HONEYWELL ENGINEERING STANDARDS MAY APPLY	SIZE: TYPE: CAGE CODE: DRAWING NAME: REV: 2TL1 SERIES CHART 1 29
	PRO/ENGINEER	SCALE: 2:1 HEIGHT: .12 LB. APPROX. SHEET 1 OF 1