

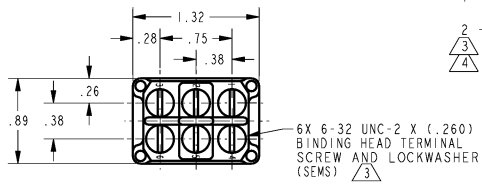
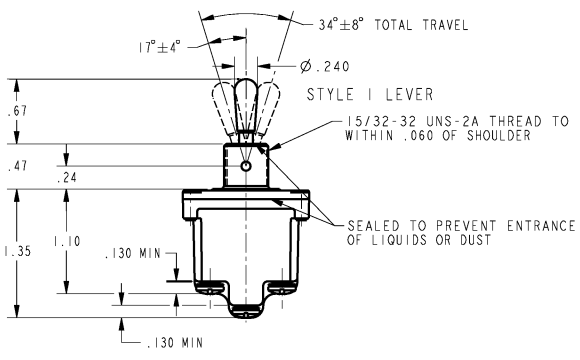
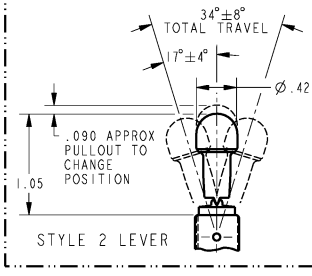
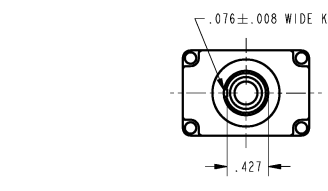
PTC/CAD 20
 DRAWN
 S. A. V. 22 NOV 99
 CHECK JAF 22 NOV 99
 CHECK
 REVISIONS
 3 A 4
 27 NOV 98
 2
 OF
 MICRO SWITCH
 2NT1-50 SERIES CHART 1
 CATALOG LISTING
 ISSUE

MICRO SWITCH
 a Honeywell Division
 FED. MFG. CODE 91929

SWITCH - TOGGLE

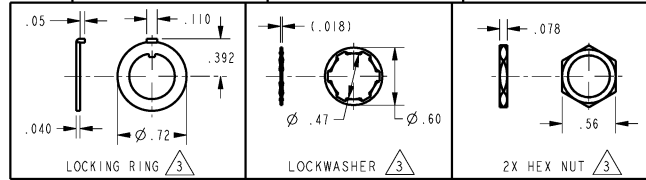
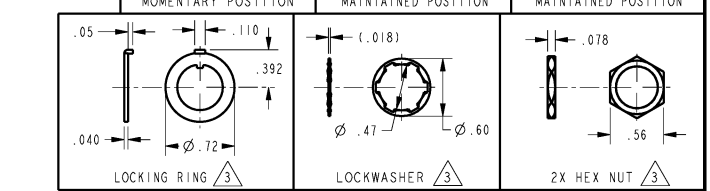
CATALOG LISTING
2NT1-50 SERIES
CHART 1

THIS DRAWING COVERS A PROPRIETARY ITEM AND IS THE PROPERTY OF MICRO SWITCH, A DIVISION OF HONEYWELL. THIS DRAWING IS NOT TO BE COPIED OR USED WITHOUT THE APPROVAL OF MICRO SWITCH



CATALOG LISTING	AVAILABLE LOCKING COMBINATIONS FOR CONFIGURATION SEE LETTERED DETAILS	STYLE NUMBER	CURRENT CAPACITY (AMPS)								
			RESISTIVE LOAD		LAMP LOAD		INDUCTIVE LOAD				
			DC VOLTS	AC VOLTS	28 VDC	28 VAC	28 VDC	28 VAC			
2NT1-50	NONE	1	18	.75	.5	11	6	5	2	10	8
2NT1-50/4	E, F, K, L, M, N	2									

"A" LOCKED IN THREE POSITIONS	"B" LOCKED IN CENTER AND EXTREME POS. (KEYWAY SIDE)	"D" LOCKED OUT OF CENTER POSITION	"E" LOCKED IN CENTER POSITION	"F" LOCKED IN EXTREME POS. (OPP. KEYWAY)	"G" LOCKED IN EXTREME POS. (KEYWAY SIDE)
"H" LOCKED OUT OF CENTER AND EXTREME POS. (KEYWAY SIDE)	"J" LOCKED OUT OF CENTER AND EXTREME POS. (OPP. KEYWAY)	"K" LOCKED IN CENTER AND EXTREME POS. (OPP. KEYWAY)	"L" LOCKED OUT OF EXTREME POS. (KEYWAY SIDE)	"M" LOCKED OUT OF AND INTO EXTREME POS. (OPP. KEYWAY)	"N" LOCKED OUT OF EXTREME POS. (OPP. KEYWAY)



NOTES
 1 - SWITCHES ARE CAPABLE OF WITHSTANDING A TEMPERATURE OF 160°F CONTINUOUSLY AT FULL RATED LOAD
 2 - MICRO SWITCH CAT. LIST. MARKED ON SIDE OF SWITCH FURNISHED UNASSEMBLED
 3 - SUFFIX LETTER MUST BE ADDED FOR DESIRED TYPE OF TOGGLE LOCKING. SEE CHART FOR AVAILABLE LOCKING COMBINATIONS

ELECTRICAL RATING

L192 10A 125, 250, 277 VAC
 1/4HP 125 VAC
 1/2HP 250, 277 VAC
 3A 125 VAC "L"

THIRD ANGLE PROJECTION

SCALE FULL

DO NOT SCALE PRINT

UNLESS OTHERWISE SPECIFIED TOLERANCES ARE

ONE PLACE (.03) ±.030
 TWO PLACE (.00) ±.015
 THREE PLACE (.000) ±.005
 ANGLES ±

WEIGHT .12 LBS APPROX

ANSI Y14.5M-1982 APPLIES