

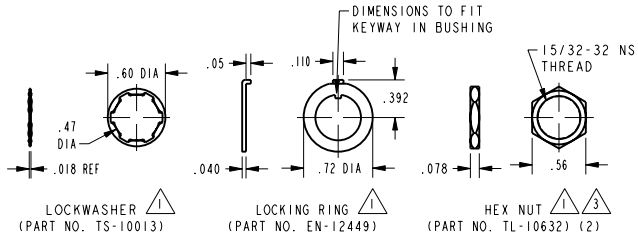
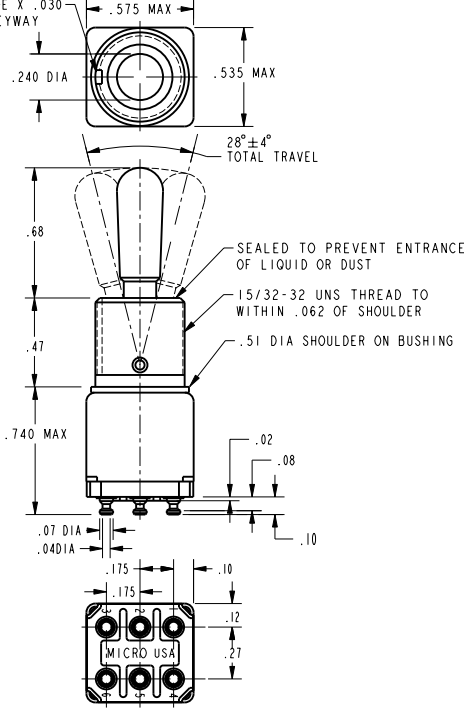
CATALOG LISTING  
12TWI SERIES CHART 1

ISSUE 20  
 REVISIONS  
 A CO 61258  
 WAM MAR 87  
 B CO62194  
 21 JUS 87  
 C CO62935  
 24 FEB 88  
 D CO 85348  
 10 NOV 88  
 PTC/CAD 20  
 DRAWN LJK  
 CHECK JAF  
 10NOV99  
 CHECK JAF  
 10NOV99

MICRO SWITCH  
a Honeywell Division  
FED. MFG. CODE 91929

**SWITCH - TOGGLE**

CATALOG LISTING  
**12TWI SERIES CHART 1**



CATALOG LISTING	ONE EXTREME POSITION (KEYWAY)	CENTER POSITION	OTHER EXTREME POSITION (OPPOSITE KEYWAY)	MS NUMBER
12TWI-1	ON 2-1 5-4	OFF 1-2 4-5	ON 2-3 5-6	MS27719-21-1
12TWI-2	OFF	NONE	ON	MS27719-22-1
12TWI-3	ON	NONE	ON	MS27719-23-1
12TWI-5	MOM ON	OFF	ON	MS27719-31-1
12TWI-7	MOM ON	OFF	MOM ON	MS27719-27-1
12TWI-8	MOM ON	NONE	ON	MS27719-26-1
①	NONE	ON	ON	

NOTES  
 △ FURNISHED UNASSEMBLED  
 2 - TERMINALS ARE PLATED FOR SOLDERING

THIS DRAWING COVERS A PROPRIETARY ITEM AND IS THE PROPERTY OF MICRO SWITCH, A DIVISION OF HONEYWELL. THIS DRAWING IS NOT TO BE COPIED OR USED WITHOUT THE APPROVAL OF MICRO SWITCH		THIRD ANGLE PROJECTION
CHARACTERISTICS	ELECTRICAL DATA	SCALE 2 : 1
	CONTACT ARRANGEMENT	DO NOT SCALE PRINT
	5A-125 VAC -L117- 	UNLESS OTHERWISE SPECIFIED TOLERANCES ARE ONE PLACE (.01) ±.030 TWO PLACE (.00) ±.015 THREE PLACE (.000) ±.005 ANGLES ±
	WEIGHT .025 LB MAX	ANSI Y14.5M-1982 APPLIES