

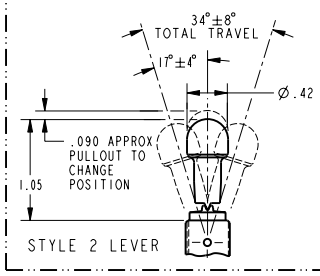
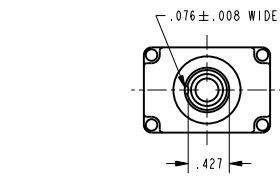
CATALOG LISTING 32NT91-70 SERIES CHART 1
 ISSUE 2
 PTC/CAD 20
 DRAWN TSM
 CHECK 14 JUL 94
 CHECK 20 JUL 94
 DAW
 RELEASE NO. PR-21196
 REPLACES

MICRO SWITCH
 a Honeywell Division
 FED. MFG. CODE 91929

SWITCH - TOGGLE

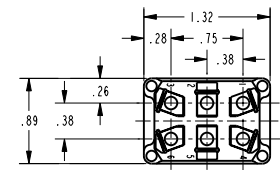
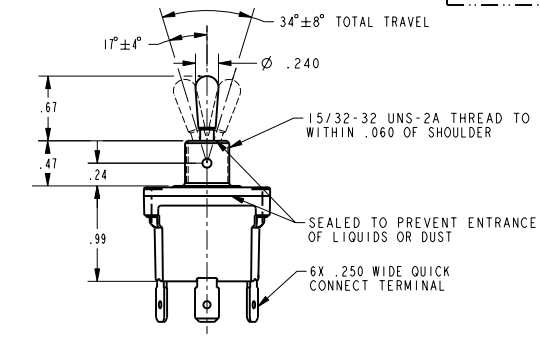
CATALOG LISTING
32NT91-70 SERIES CHART 1

THIS DRAWING COVERS A PROPRIETARY ITEM AND IS THE PROPERTY OF MICRO SWITCH, A DIVISION OF HONEYWELL. THIS DRAWING IS NOT TO BE COPIED OR USED WITHOUT THE APPROVAL OF MICRO SWITCH



STYLE 1 LEVER

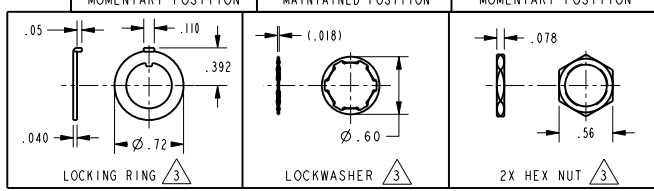
STYLE 2 LEVER



CATALOG LISTING	AVAILABLE LOCKING COMBINATIONS FOR CONFIGURATION SEE LETTERED DETAILS	STYLE NUMBER	ELECTRICAL RATING
32NT91-70	NONE	1	L192 10A 125, 250, 277 VAC 1/4HP 125 VAC 1/2HP 250, 277 VAC 3A 125 VAC "L"
32NT91-70/5	E.L.N	2	

*A	*B	*D	*E	*F	*G
LOCKED IN THREE POSITIONS	LOCKED IN CENTER AND EXTREME POS. (KEYWAY SIDE)	LOCKED OUT OF CENTER POSITION	LOCKED IN CENTER POSITION	LOCKED IN EXTREME POS. (OPP. KEYWAY)	LOCKED IN EXTREME POS. (KEYWAY SIDE)
*H	*J	*K	*L	*M	*N
LOCKED OUT OF CENTER AND EXTREME POS. (KEYWAY SIDE)	LOCKED OUT OF CENTER AND EXTREME POS. (OPP. KEYWAY)	LOCKED IN CENTER AND EXTREME POS. (OPP. KEYWAY)	LOCKED OUT OF CENTER (KEYWAY SIDE)	LOCKED OUT OF AND INTO EXTREME POS. (OPP. KEYWAY)	LOCKED OUT OF EXTREME POS. (OPP. KEYWAY)

CIRCUIT MADE WITH TOGGLE LEVER IN		
KEYWAY SIDE	CENTER	OPPOSITE KEYWAY
MOMENTARY POSITION	MAINTAINED POSITION	MOMENTARY POSITION



NOTES
 1 - SWITCHES ARE CAPABLE OF WITHSTANDING A TEMPERATURE OF 160°F CONTINUOUSLY AT FULL RATED LOAD
 2 - MICRO SWITCH CAT. LIST. MARKED ON SIDE OF SWITCH
 3 - FURNISHED UNASSEMBLED
 4 - KEYWAY SHOWN ON LEFT SIDE
 5 - SUFFIX LETTER MUST BE ADDED FOR DESIRED TYPE OF TOGGLE LOCKING. SEE CHART FOR AVAILABLE LOCKING COMBINATIONS

THIRD ANGLE PROJECTION
SCALE FULL
DO NOT SCALE PRINT
UNLESS OTHERWISE SPECIFIED TOLERANCES ARE
ONE PLACE (.01) ±.030
TWO PLACE (.00) ±.015
THREE PLACE (.000) ±.005
ANGLES ±
WEIGHT .12 LBS APPROX

ANSI Y14.5M-1982 APPLIES