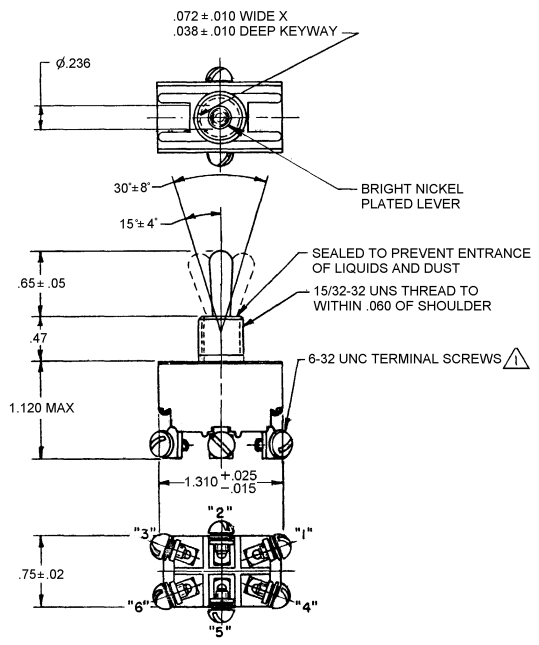


12T515 SERIES  
 DRAWING NUMBER  
 ISSUE 9  
 REVISIONS  
 A 02804002  
 B 00936687  
 C 00010752  
 J A H 128 AUG 72  
 RASTER

**MICRO SWITCH**  
 FREEPORT, ILLINOIS, U.S.A.  
 A DIVISION OF HONEYWELL  
 FED. REG. CODE 91929

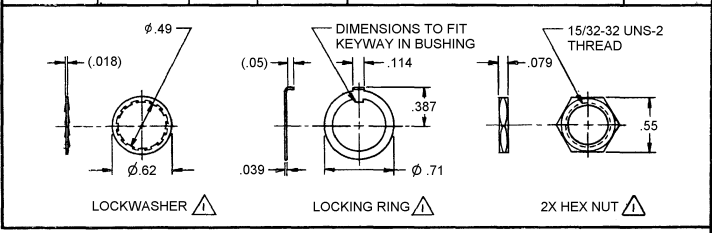
SWITCH - TOGGLE  
 CATALOG LISTING  
**12T515 SERIES**  
 CHART 1

THIS DRAWING COVERS A PROPRIETARY ITEM AND IS THE PROPERTY OF MICRO SWITCH, A DIVISION OF MINNEAPOLIS-HONEYWELL REGULATOR CO. THIS DRAWING IS NOT TO BE COPIED OR USED WITHOUT THE APPROVAL OF MICRO SWITCH.



CAT. LIST.	CIRCUIT WITH TOGGLE IN		
	EXTREME POSITION KEYWAY 1-2 SIDE 4-5	CENTER	EXTREME POSITION OPPOSITE 2-3 SIDE 5-6
12T515-1	ON	OFF	ON
12T515-2	OFF	NONE	ON
12T515-3	ON	NONE	ON
(B)	NONE	OFF	ON
12T515-4	MOM OFF	NONE	ON
12T515-5	MOM ON	OFF	ON
12T515-6	MOM ON	NONE	OFF
12T515-7	MOM ON	OFF	MOM ON
12T515-8	MOM ON	NONE	ON

ELECTRICAL DATA	
L312	
10A 277 VAC, 20A 125 VAC 1 1/2 HP 125, 250 VAC	



NOTES  
 1 - FURNISHED UNASSEMBLED  
 2 - VISUAL DIFFERENCES IN TERMINAL SHAPES AND PLATING POSSIBLE

SCALE FULL  
 DO NOT SCALE PRINT  
 UNLESS OTHERWISE NOTED  
 DIMENSIONS ARE IN INCHES  
**TOLERANCES ARE:**  
 ONE PLACE .01 ± .030  
 TWO PLACE .00 ± .015  
 THREE PLACE .000 ± .005  
 ANGLES  
 WEIGHT .10 LB MAX