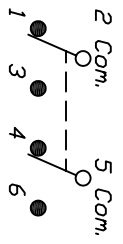


RECOMMENDED PCB LAYOUT

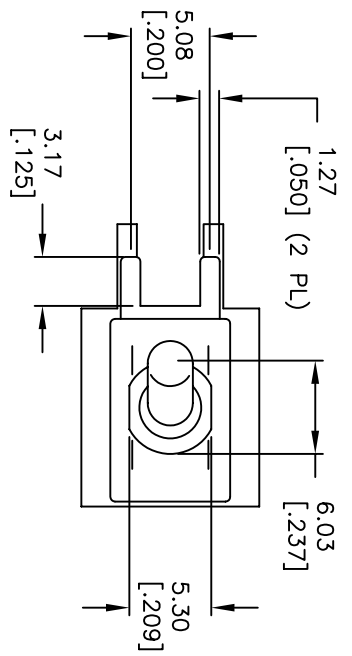


DPDT CIRCUIT CONTACT CONFIGURATION

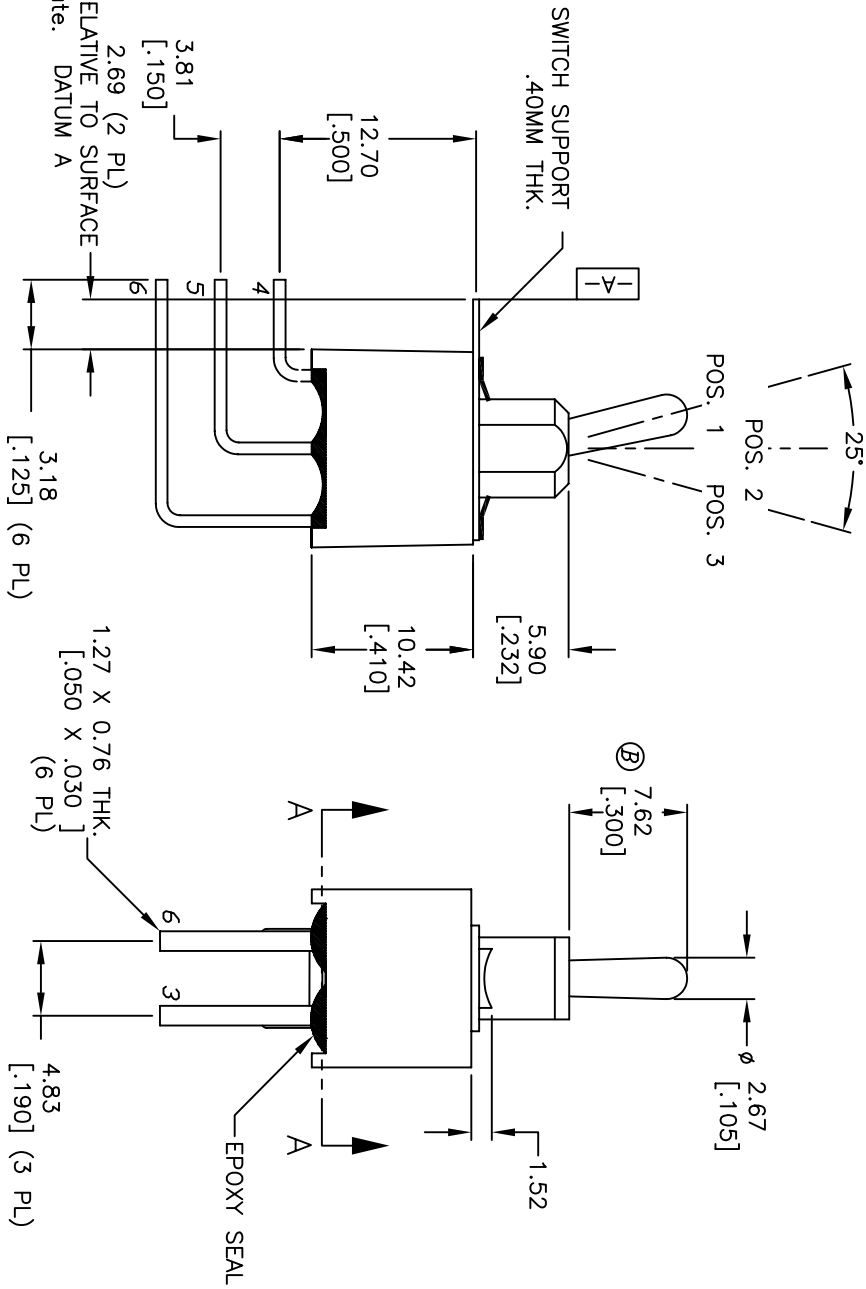
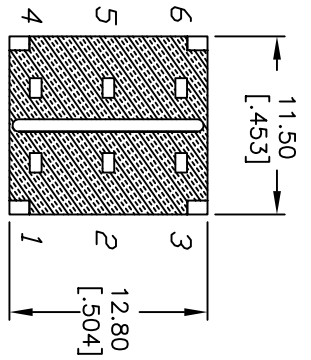
SWITCH FUNCTION		
POS. 1	POS. 2	POS. 3
DN	OFF	DN
2-3, 5-6	OPEN	2-1, 5-4

NOTES:

1. ALL DIMENSIONS IN MM
2. GENERAL TOLERANCE: X.X=±0.4  
X:XX=±0.25
3. TERMINAL NUMBERS FOR REF ONLY
4. RATING: 0.4(VA) Max. @20V (AC or DC)
5. FIXED TERM. & MOVING CONTACT: Cu Alloy w/Gold RELATIVE TO SURFACE plate over Ni plate. DATUM A
6. ELECTRIC LIFE: 50,000 make-and-break cycles at full load.
7. INSULATION RESISTANCE: 1,000 Mega-ohm min.
8. DIELECTRIC STRENGTH: 1,000 V RMS @sed level.
9. OPERATING TEMP.: -30°C to 85°C



SECTION A-A



REV.	ECN No.	DESCRIPTION	DATE	CHKD
D	15452	DIM FROM 6.18 TO 5.90	10/25/05	PH
C	15416	DIM DN TERMINAL LENGTH	10/19/05	PH
B	11471	REVISED ACTUATOR	6/13/01	CB

TITLE		SCALE	DATE	DR	DWG	REV
100A WDP-3 T2 B4 M7 R E		2:1	5/15/01	CB	T102306	D

