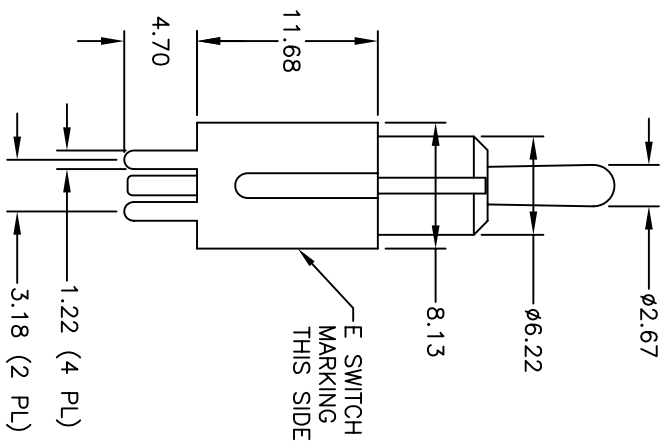
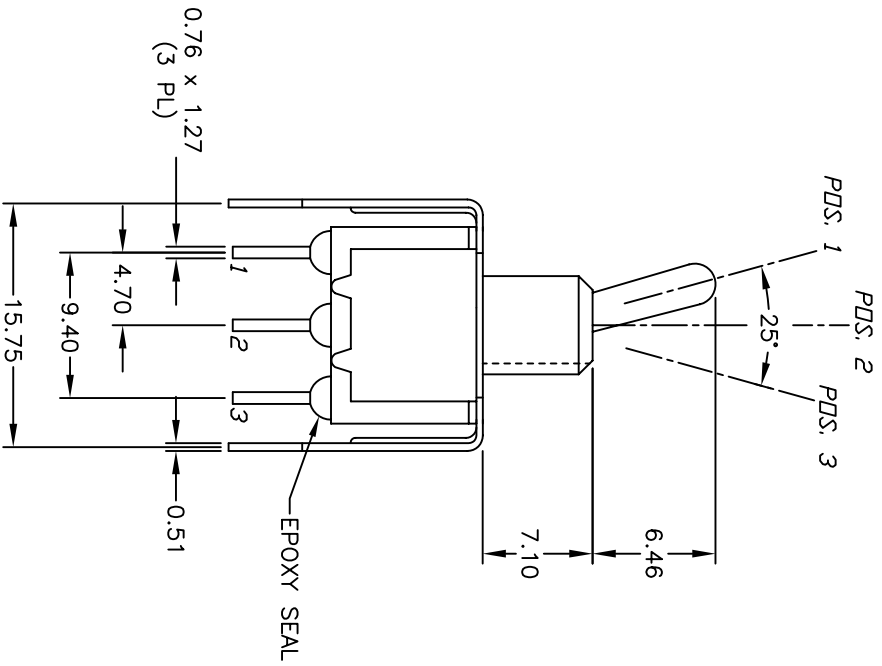


SPDT CIRCUIT

SWITCH FUNCTION		
PDS. 1	PDS. 2	PDS. 3
DN	NONE	DN
2-3	OPEN	2-1

CONTACT CONFIGURATION



- NOTES:
1. ALL DIMENSIONS IN MM
 2. GENERAL TOLERANCE: 0.0±0.4
0.00±0.25
 3. TERMINAL NUMBERS FOR REF ONLY
 4. RATING: 5 AMPS @ 120VAC OR 28VDC;
2 AMPS @ 250VAC
 5. ELECTRIC LIFE: 50,000 make-and-break cycles
at full load.
 6. INSULATION RESISTANCE: 1,000 Mega-ohm min.
 7. DIELECTRIC STRENGTH: 1,000 V RMS @sea level.
 8. OPERATING TEMP.: -30°C to 85°C

E-SWITCH®

B	15970	6.46 DIM. WAS 6.86	4/18/06	CT
A	10689	RELEASED FOR PRODUCTION	6/16/00	GLG
REV.	ECN No.	DESCRIPTION	DATE	CHKD

TITLE		SCALE		DATE		DR		DWG		REV	
100 SP1 T2 B4 VS2 Q E		2:1		6/16/00		GLG		T111093		B	

THE INFORMATION CONTAINED IN THIS DOCUMENT IS PROPRIETARY TO E-SWITCH AND IS NOT TO BE COPIED OR TRANSFERRED