

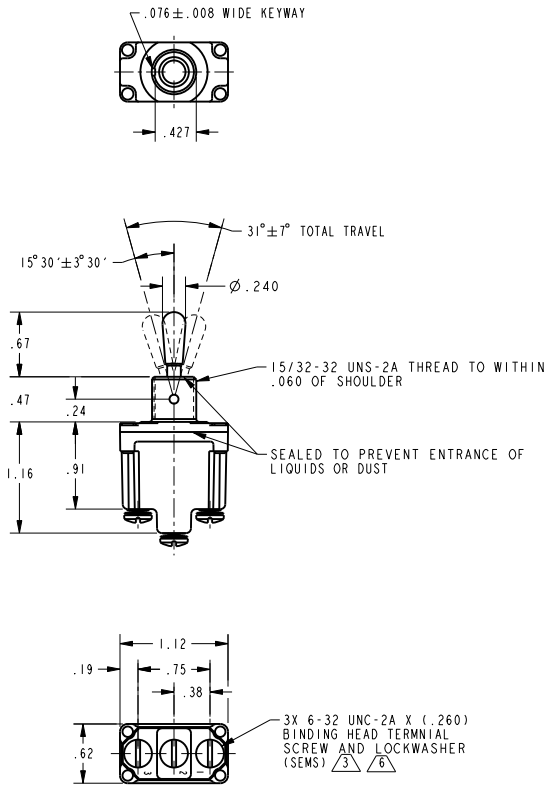
CATALOG LISTING INT1 SERIES CHART 1
 ISSUE 8
 REVISIONS
 A 207607 SM 08NOV04
 B 207182 SM 07MAR03
 C 0009175 SM 08NOV04
 PTC/CAD 2D
 DRAWN
 TSM
 CHECK SAV 7MAR03
 CHECK AK 08NOV04
 CHECK 7MAR03
 CHECK 08NOV04
 RELEASE NO. PR-19402
 REPLACES

MICRO SWITCH
 a Honeywell Division
 FED. MFG. CODE 91929

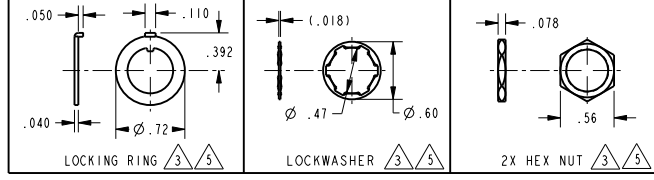
SWITCH - TOGGLE

CATALOG LISTING
INT1 SERIES CHART 1

THIS DRAWING COVERS A PROPRIETARY ITEM AND IS THE PROPERTY OF MICRO SWITCH, A DIVISION OF HONEYWELL. THIS DRAWING IS NOT TO BE COPIED OR USED WITHOUT THE APPROVAL OF MICRO SWITCH



CATALOG LISTING	CIRCUIT MADE WITH TOGGLE LEVER IN ⁴			ELECTRICAL DATA
	KEYWAY SIDE (1-2)	CENTER (1-2)	OPPOSITE KEYWAY (2-3)	
INT1-1	ON	OFF	ON	L191 15A 125, 250, 277 VAC 1/2HP 125 VAC 1HP 250, 277 VAC 5A 125 VAC "L"
INT1-2	OFF	NONE	ON	
INT1-3	ON	NONE	ON	
INT1-21	NONE	OFF	ON	L192 10A 125, 250, 277 VAC 1/4HP 125 VAC 1/2HP 250, 277 VAC 3A 125 VAC "L"
INT1-31	NONE	ON	ON	
INT1-4	MOM OFF	NONE	ON	
INT1-5	MOM ON	OFF	ON	
INT1-6	MOM ON	NONE	OFF	
INT1-7	MOM ON	OFF	MOM ON	
INT1-8	MOM ON	NONE	ON	
INT1-51	NONE	ON	MOM ON	
INT1-61	MOM ON	OFF	NONE	



- NOTES
 1 - SWITCH WILL WITHSTAND TEMPERATURE OF 160°F CONTINUOUSLY AT FULL RATED LOAD
 2 - MICRO SWITCH CAT. LIST. MARKED ON SIDE OF SWITCH FURNISHED UNASSEMBLED
³ APPLIES ONLY TO "ON" AND "MOMENTARY ON" POSITIONS
⁴ "NH" SUFFIX MUST BE ADDED TO SPECIFY NO HARDWARE (EX INT1-1-NH)
⁵ "COMB" SUFFIX MUST BE ADDED TO SPECIFY 6-32 UNC-2A X (.260) COMBINATION DRIVE STYLE BINDING HEAD TERMINAL SCREW AND LOCKWASHER (SEMS) (EX INT1-7-COMB)

THIRD ANGLE PROJECTION	
SCALE FULL	
DO NOT SCALE PRINT	
UNLESS OTHERWISE SPECIFIED TOLERANCES ARE	
ONE PLACE	(.01) ±.030
TWO PLACE	(.00) ±.015
THREE PLACE	(.000) ±.005
ANGLES	±
WEIGHT	.07 LB APPROX

ANSI Y14.5M-1982 APPLIES