

CATALOG LISTING 31NT91 SERIES CHART 1

ISSUE 6  
 REVISIONS  
 A COP4360 SM 22NOV89  
 B 203335 01M 20JUN91  
 C 203551 01M 20JUN91  
 D 208707 01M 20JUN91  
 E 207182 01M 27 MAR 93  
 PTC/CAD 2D  
 DRAWN  
 TSM 29NOV99 CHECK SAV 29NOV99 CHECK

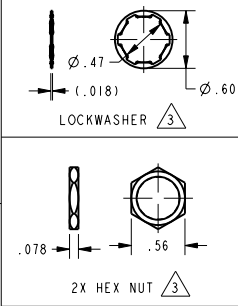
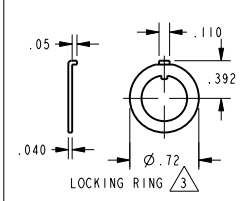
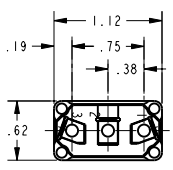
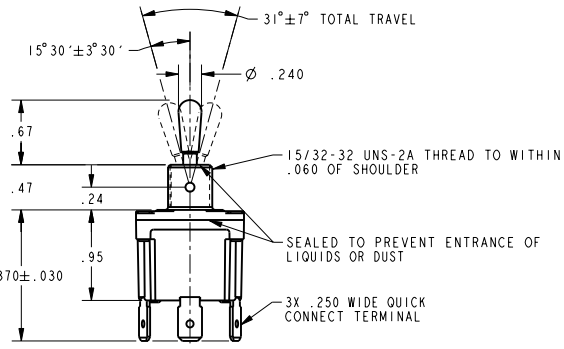
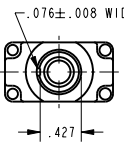
**MICRO SWITCH**  
a Honeywell Division  
FED. MFG. CODE 91929

**SWITCH - TOGGLE**

CATALOG LISTING  
**31NT91 SERIES CHART 1**

THIS DRAWING COVERS A PROPRIETARY ITEM AND IS THE PROPERTY OF MICRO SWITCH, A DIVISION OF HONEYWELL. THIS DRAWING IS NOT TO BE COPIED OR USED WITHOUT THE APPROVAL OF MICRO SWITCH

CATALOG LISTING	CIRCUIT MADE WITH TOGGLE LEVER IN <sup>4</sup>			ELECTRICAL DATA
	KEYWAY SIDE (1-2)	CENTER (1-2)	OPPOSITE KEYWAY (2-3)	
31NT91-1	ON	OFF	ON	L191 15A 125, 250, 277 VAC 1/2HP 125 VAC 1HP 250, 277 VAC 5A 125 VAC "L"
31NT91-2	OFF	NONE	ON	
31NT91-3	ON	NONE	ON	
31NT91-21	NONE	OFF	ON	
31NT91-31	NONE	ON	ON	
<sup>3</sup>	MOM OFF	NONE	ON	
31NT91-5	MOM ON	OFF	ON	L192 10A 125, 250, 277 VAC 1/4HP 125 VAC, 1/2HP 250, 277 VAC 3A 125 VAC "L"
31NT91-6	MOM ON	NONE	OFF	
31NT91-7	MOM ON	OFF	MOM ON	
31NT91-8	MOM ON	NONE	ON	
31NT91-51	NONE	ON	MOM ON	
31NT91-61	MOM ON	OFF	NONE	



- NOTES  
 1 - SWITCH WILL WITHSTAND TEMPERATURE OF 160°F CONTINUOUSLY AT FULL RATED LOAD  
 2 - MICRO SWITCH CAT. LIST. MARKED ON SIDE OF SWITCH FURNISHED UNASSEMBLED  
 3 - APPLIES ONLY TO "ON" AND "MOMENTARY ON" POSITIONS  
 4 - TO ORDER WITHOUT HARDWARE ADD (-NH) SUFFIX TO CATALOG LISTING  
 5 -

THIRD ANGLE PROJECTION	
SCALE	FULL
DO NOT SCALE PRINT	
UNLESS OTHERWISE SPECIFIED TOLERANCES ARE	
ONE PLACE	(.01) ±.030
TWO PLACE	(.00) ±.015
THREE PLACE	(.000) ±.005
ANGLES	±
WEIGHT	.07 LB APPROX

ANSI Y14.5M-1982 APPLIES