

CATALOG LISTING 11TS15 SERIES CHART 1

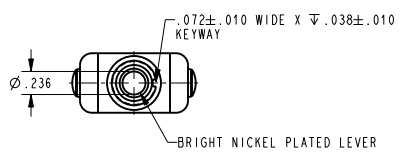
ISSUE 13
 REVISIONS
 A 203922
 B 204980
 C 0001201
 PTC/CAD 20
 KED 18SEP01
 CHECK SAV 18 SEP 01
 CHECK
 RELEASE NO. CO-2742
 10-1111
 REPLACES -
 PAGE 1 OF 1
 DRAWN
 ANSI Y14.5M-1982 APPLIES

MICRO SWITCH
a Honeywell Division
FED. MFG. CODE 91929

SWITCH - TOGGLE

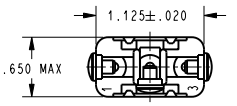
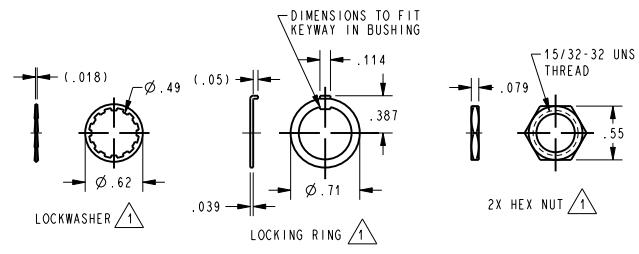
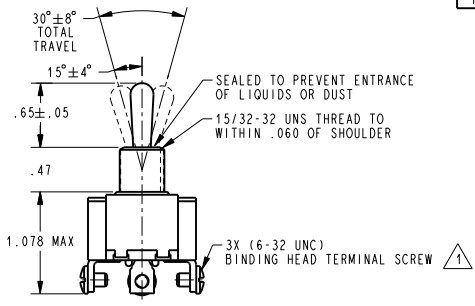
CATALOG LISTING
11TS15 SERIES CHART 1

THIS DRAWING COVERS A PROPRIETARY ITEM AND IS THE PROPERTY OF MICRO SWITCH, A DIVISION OF HONEYWELL. THIS DRAWING IS NOT TO BE COPIED OR USED WITHOUT THE APPROVAL OF MICRO SWITCH



CAT. LIST.	CIRCUIT WITH TOGGLE IN			RELEASE NO.
	EXTREME POSITION KEYWAY SIDE 1-2	CENTER	EXTREME POSITION OPPOSITE SIDE 2-3	
11TS15-1	ON	OFF	ON	
11TS15-2	OFF	NONE	ON	
11TS15-3	ON	NONE	ON	
11TS15-4	MOM OFF	NONE	ON	PR-3311
11TS15-5	MOM ON	OFF	ON	PR-3124
11TS15-6	MOM ON	NONE	OFF	
11TS15-7	MOM ON	OFF	MOM ON	
11TS15-8	MOM ON	NONE	ON	PR-3811

ELECTRICAL DATA
 L311
 10A 277 VAC, 20A 125 VAC
 3/4HP 125, 250 VAC



NOTE
 FURNISHED UNASSEMBLED

THIRD ANGLE PROJECTION	
SCALE FULL	
DO NOT SCALE PRINT	
UNLESS OTHERWISE SPECIFIED TOLERANCES ARE	
ONE PLACE	(.01) ±.030
TWO PLACE	(.00) ±.015
THREE PLACE	(.000) ±.005
ANGLES	±
WEIGHT	