

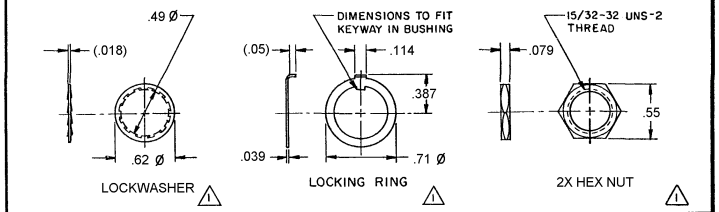
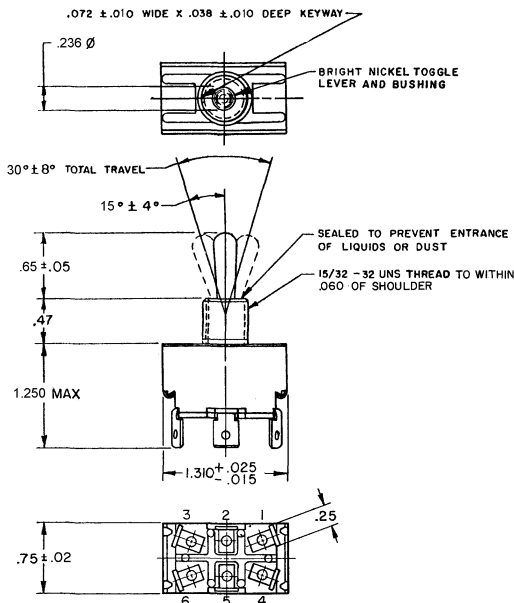
MICRO SWITCH
MINNEAPOLIS, MINN. U.S.A.
A DIVISION OF HONEYWELL
HONEYWELL CORP. 91932

SWITCH -TOGGLE

CATALOG LISTING
12 TS 95 SERIES
CHART 1

THIS DRAWING COVERS A PROPRIETARY ITEM AND IS THE PROPERTY OF MICRO SWITCH, A DIVISION OF MINNEAPOLIS, HONEYWELL REGULATOR CO. THIS DRAWING IS NOT TO BE COPIED OR USED WITHOUT THE APPROVAL OF MICRO SWITCH.

CAT. LIST.	CIRCUIT WITH TOGGLE IN			ELECTRICAL DATA
	EXTREME POSITION KEYWAY 1-2 SIDE 4-5	CENTER	EXTREME POSITION OPPOSITE 2-3 SIDE 5-6	
12TS95-1	ON	OFF	ON	L312 10A 277 VAC, 20A 125 VAC 1 1/2 HP 125, 250 VAC ® RU
12TS95-2	OFF	NONE	ON	
12TS95-3	ON	NONE	ON	
©	MOM ON	NONE	OFF	
12TS95-7	MOM ON	OFF	MOM ON	
©	MOM ON	NONE	ON	
12TS95-4	MOM OFF	NONE	ON	
12TS95-5	MOM ON	OFF	ON	



- NOTES
 △ FURNISHED UNASSEMBLED
 2 - CIRCUIT DESIGNATION AND MICRO SWITCH CAT. LISTING MARKED ON SIDE OF SWITCH
 3 - SWITCH TERMINALS MAY BE USED WITH AMP RECEPTACLE NO. 41194 (OR EQUIVALENT)
 4 - VISUAL DIFFERENCES IN TERMINAL SHAPES AND PLATING POSSIBLE

SCALE FULL		
DO NOT SCALE PRINT		
UNLESS OTHERWISE NOTED		
DIMENSIONS ARE IN INCHES		
TOLERANCES ARE:		
ONE PLACE	± .01	± .030
TWO PLACE	± .001	± .015
THREE PLACE	± .0001	± .005
ANGLES		
WEIGHT .10 LB MAX		

CATALOG LISTING
12 TS 95 SERIES CHART 1
 ISSUE 17
 REVISIONS:
 A 090402 JALA 1 APP 95
 B 093607 26 JAN 99
 C 203418 26 JUN 01
 D 0001107 11 AUG 03
 RASTER DRAWN L.S.D. 8 SEPT 72
 CHECKED L.S.D. 12B OCT 72
 APPROVED L.S.D. 12B OCT 72

