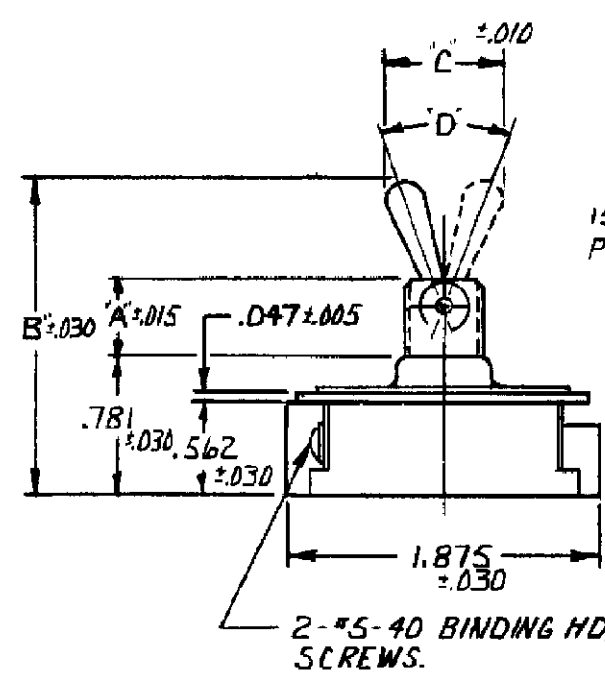
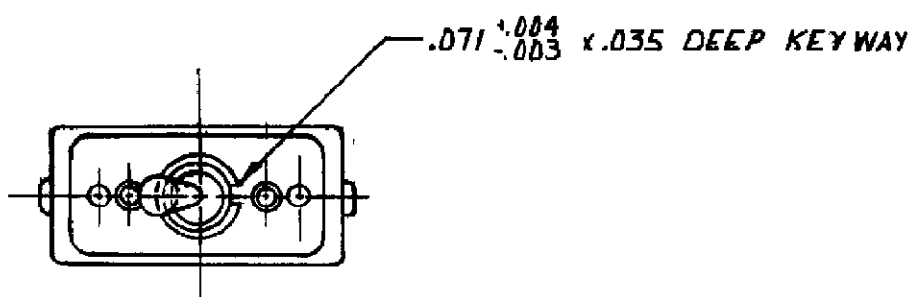
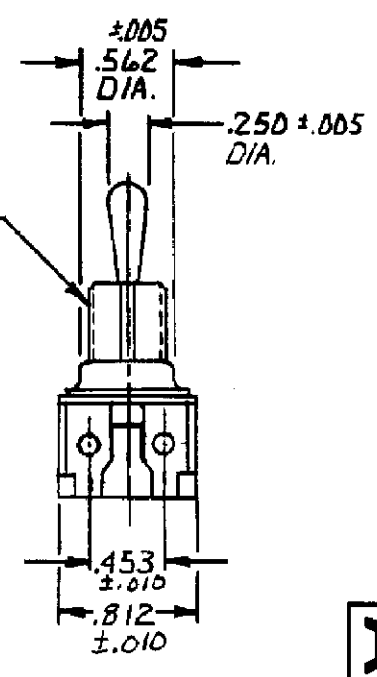


Property of Tyco Electronics Corporation, Mar 5 2001
 CUSTOMER DRWG: 1520237 REV: 99 PG 1 OF 3



15/32-32 THRS PER INCH.



37±4°	7321	.469	1.922	.719
50±4°	7321	.344	1.766	.844
"D"	CAT. NO.	A	B	C



TITLE DIMENSIONS FOR SINGLE POLE ONE HDLE MTG. TOOL HANDLE SWITCH.

ORDER NO. 9310N10 BASIC SPECS. SUMMARY

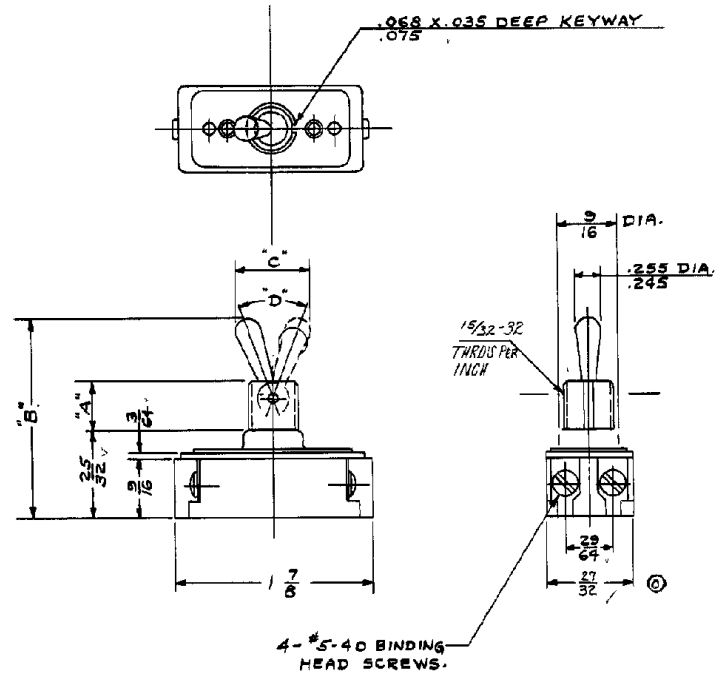
A	DR. JEFF BROTHERS	1/21/84	APP. Bill Newland
B	CHK. GLENN STORY	1/27/84	FIRST ASSEM. WHERE LISTED D90-3473-3E-4
C	Cutler-Hammer F.T.N. Electrical/Electronic Control		

A 90-12066

FORM 80B

A 90-343

RAW MAT SPEC WITH
PART NO AND AMOUNT REQ'D.



①	37°±4°	7320	1 5/32	1 5/64	21/32
	50°±4°	7320	1 1/32	1 9/64	21/32
	"D"	CAT. NO.	A	B	C

BULLETIN

DIMENSIONS FOR ~~ONE HOLE MTG. TOOL HANDLE SWITCH~~ ONE HOLE MTG. TOOL HANDLE SWITCH

A	RATING CROSSED OUT TITLE LEFT	DATE	BY	CHK'D BY	THIRD AGEN. WHERE LISTED
B	ADDED "D" DIM. TO TABLE	9/14/40	E. B. Leonard	W. H. Co.	D 90-3473
C	DIM. 1-32 WAS 1/16	2/23	AW	38-58	NON-INTERCHANGEABLE
	DIM. 21/32 WAS 5/16	9/24/40	CE	2-14-51	NON-INTERCHANGEABLE
D					DO NOT SCALE DRAWING, WORK ACCORDING TO DIMENSIONS.
E					STANDARD TOLERANCES 80-878 APPLY TO DIMENSIONS. SCALE 1" = 1"
F					ORDER NO. 9041-10

CUTLER-HAMMER, INC. MILWAUKEE NEW YORK

A 90-343

Property of Tyco Electronics Corporation, Mar 5 2001
CUSTOMER DRWG: 1520237 REV: 99 PG 3 OF 3