

Reliable Thumbwheel Switch with Dustproof Construction and Easy Front Mounting

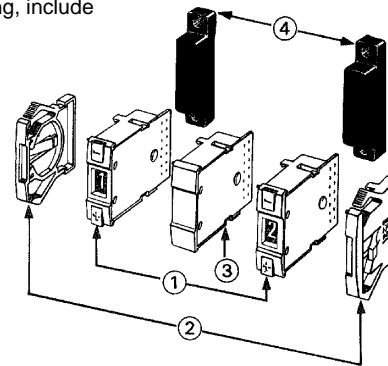
- Pen-push switches are designed especially for use in portable equipment
- Internal contacts boost reliability



Ordering Information

Note: A7DP switch units can be ordered with limited setting ranges. When ordering, include the range in the model number as shown in the following examples:

A7DP-206-S06 (Light gray A7DP with a range of 0 to 6)
A7DP-206-S18-1 (Black A7DP with a range of 1 to 8)



1. Switch units
2. End caps
3. Spacer
4. Connectors

SWITCH UNITS

		Part number	
Output code	Type	PCB terminal	
		Light gray case	Black case
06 (binary code)	Pen-push	A7DP-206	A7DP-206-1

Note: Switch units, end caps, spacers, and connectors must be ordered separately and are not factory-assembled for shipment.

ACCESSORIES

Accessory	Part number	
	Light gray	Black
End cap	A7D-2M	A7D-2M-1
Spacer	A7D-2PA	A7D-2PA-1

- Note: 1. When placing your order, please specify the model numbers and quantities of required switch units, end caps, and spacers, respectively. (Note that switch units and accessories are not factory-assembled for shipment.)
 2. End caps come as a set, left and right.

To order spacers marked with measurement units or symbols, select the unit or symbol from the table below and put its code letter in place of the final letter A in the model number.

Example: A7D-2PK (light gray spacer with °C mark for A7DP)

Code letter	A	B	C	D	E	F	G	H	J	K	L	Q	T	U
Marking	Blank	SEC	MIN	H	g	kg	mm	cm	m	°C	PCS	x10 SEC	0	•

Specifications

CHARACTERISTICS

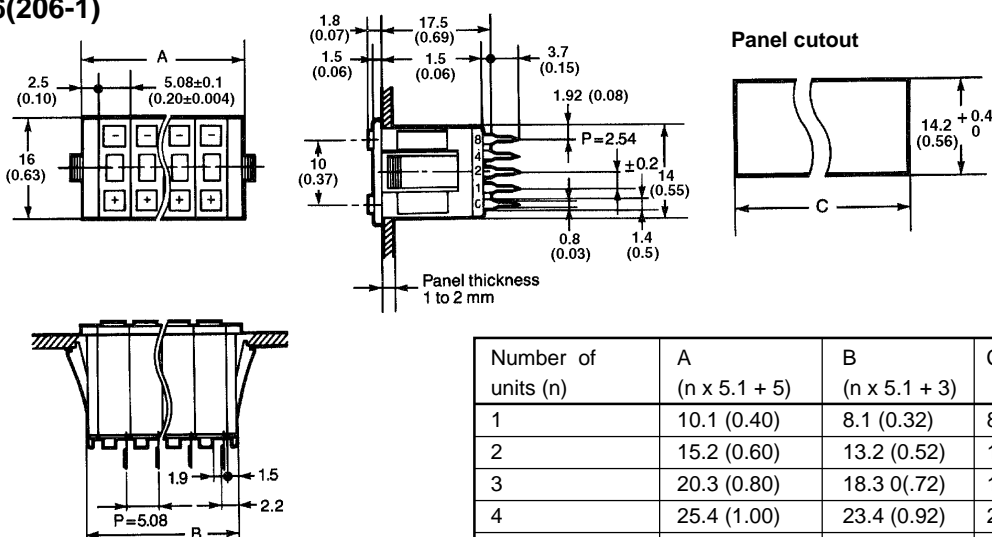
Switching capacity		1 mA to 0.1 A, 5 to 30 VDC (resistive load)
Carry current		100 mA
Contact resistance		200 mΩ max.
Insulation resistance		10 MΩ min. (at 250 VDC) between nonconnected terminals
		100 MΩ min. (at 500 VDC) between each terminal and noncurrent carrying part
Dielectric strength		250 VAC, 50/60 Hz for 1 minute between nonconnected terminals
		1,000 VAC, 50/60 Hz for 1 minute between each terminal and noncurrent carrying part
Operating force		350 g max.
Vibration resistance		10 to 55 Hz, 1.5 mm double amplitude
Shock resistance		500 m/s ² (approx. 50 G) min.
Ambient temperature		-10° to 70°C (no condensation)
Storage temperature		-20° to 80°C
Humidity		35% to 85%
Service life	Mechanical	30,000 steps min.
	Electrical	20,000 steps min.
Weight (per unit)		Approx. 1.2 g

Note: Data shown are of initial value

Dimensions

Unit: mm (inch)

PEN-PUSH SWITCHES A7DP-206(206-1)

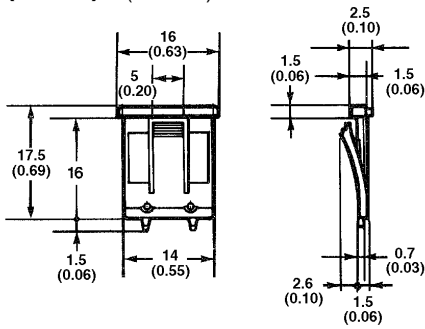


- Note: 1. Unless otherwise specified, a tolerance of ± 0.4 mm applies to all dimensions.
 2. Each model number applies to a single switch unit and not to the switch assembly as shown in the drawings.
 3. Common terminal "C" is at the bottom when the switch is viewed from the front.

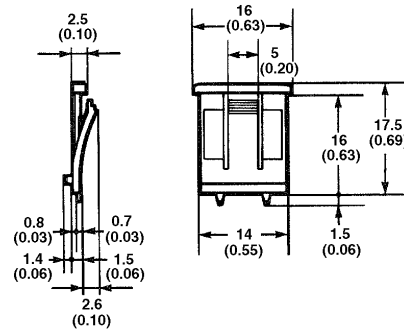
Number of units (n)	A (n x 5.1 + 5)	B (n x 5.1 + 3)	C
1	10.1 (0.40)	8.1 (0.32)	8.4 (0.33)
2	15.2 (0.60)	13.2 (0.52)	13.5 (0.53)
3	20.3 (0.80)	18.3 (0.72)	18.6 (0.73)
4	25.4 (1.00)	23.4 (0.92)	23.7 (0.93)
5	30.5 (1.20)	28.5 (1.12)	28.8 (1.13)
6	35.5 (1.40)	33.5 (1.32)	33.9 (1.33)
7	40.6 (1.60)	38.6 (1.52)	39.0 (1.53)
8	45.7 (1.80)	43.7 (1.72)	44.1 (1.74)
9	50.8 (2.00)	48.8 (1.92)	49.2 (1.94)
10	55.9 (2.20)	53.9 (2.12)	54.3 (2.14)

■ END CAPS

A7D-2M(-2M-1) (left side)

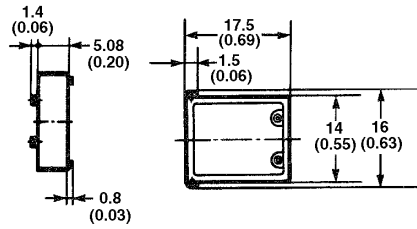


(right side)



■ SPACERS

A7D-2PA(-2PA-1)

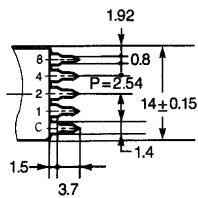


■ TERMINALS

06 Output code

A7DP

PCB terminals



Hints on Correct Use

Refer to HINTS ON CORRECT USE under the General Information section.

NOTE: DIMENSIONS ARE SHOWN IN MILLIMETERS. To convert millimeters to inches divide by 25.4.

OMRON ELECTRONICS LLC.

One East Commerce Drive
Schaumburg, IL 60173
1-800-55-OMRON

Cat. No. GC SW6

04/01

OMRON ON-LINE

Global - <http://www.omron.com>
USA - <http://www.omron.com/oei>
Canada - <http://www.omron.com/oci>

Specifications subject to change without notice.

OMRON CANADA, INC.

885 Milner Avenue
Scarborough, Ontario M1B 5V8
416-286-6465

Printed in the U.S.A.