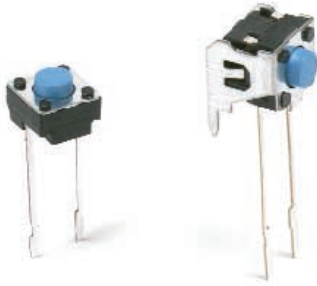


PTS645-TR Series 6 mm Radial Tact Switches



Features/Benefits

- Radial taping
- Thru-hole or vertical actuation
- From 130 to 260 grams actuation force

Typical Applications

- Consumer products
- Instrumentation
- Computer products
- Industrial



B

Tactile Switches

Specification

FUNCTION: Momentary action
CONTACT ARRANGEMENT: SPST, N.O.
TERMINALS: PC pins

Mechanical

ACTUATION FORCE: PTS645 models: 130 grams, 160 grams, 260 grams
LIFE EXPECTANCY: 100,000 operations.

Electrical

CONTACT RATING: 50 mA @ 12 V DC.
DIELECTRIC STRENGTH: 250 V AC min.
CONTACT RESISTANCE: 100 mΩ max. initial.
INSULATION RESISTANCE: 10¹¹ Ω min.

NOTE: Specifications listed above are for switches with standard options.
For information on specific and custom switches, consult Customer Service Center.

Environmental

OPERATING TEMPERATURE: -40°C to 60°C

Process

SOLDERING: Preheating to 100°C for 45 sec. max. Keep flux flush with top surface of PCB; do not apply to component side of PCB and area where terminals are located. Soldering to 255°C for 5 sec. max. Clean by brushing on solder surface. Do not clean switch with solvents.

Materials

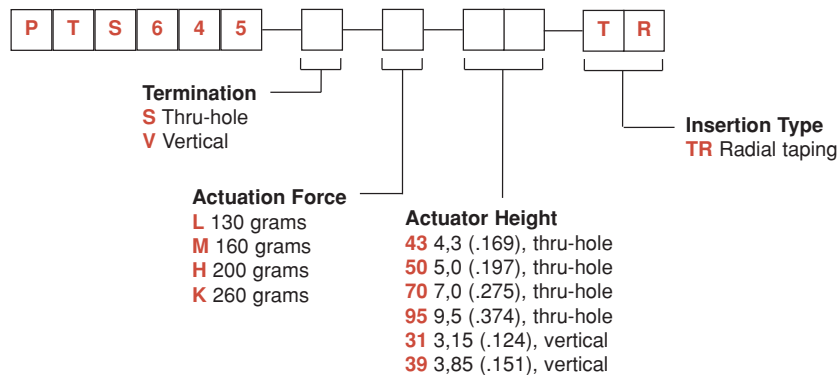
BASE: 6/6 nylon or glass filled polyester (PBT) (UL 94V-0).
ACTUATOR: PBT (UL94V0)
COVER PLATE: PTS645S: Stainless steel tin plate.
PTS645V: Tin alloy or stainless steel.
DOME CONTACTS: Phosphor bronze, silver clad.
STATIONARY CONTACTS: Brass, silver plated.
TERMINALS: Brass, silver plated. Insert molded.

Packaging

Radial taping, 1000 pieces.

How To Order

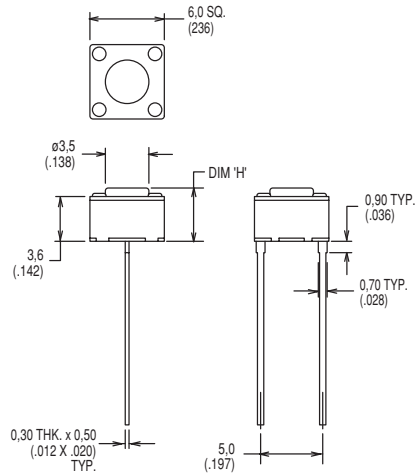
Our easy build-a-switch concept allows you to mix and match options to create the switch you need. To order, select desired option from each category and and place it in the appropriate box.



PTS645-TR Series 6 mm Radial Tact Switches

SERIES

PTS645

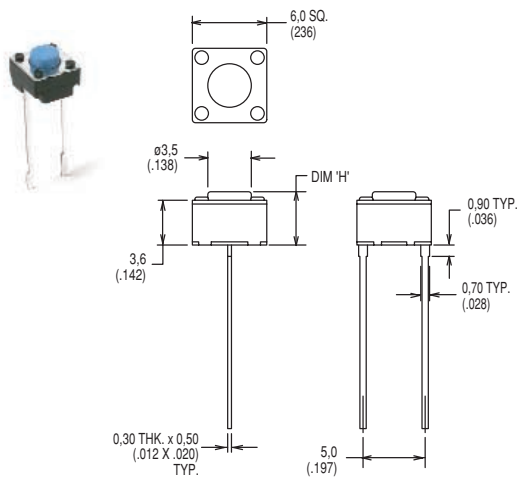


B

Tactile Switches

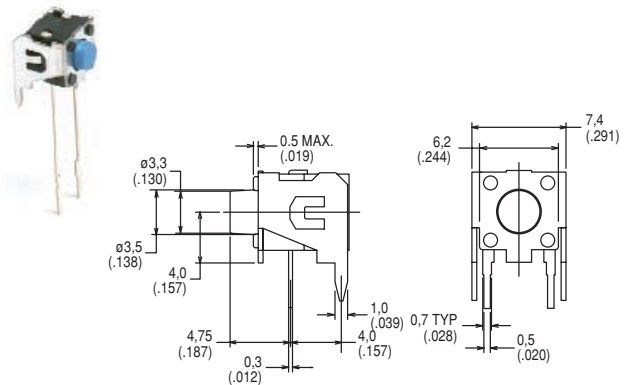
TERMINATION

S THRU-HOLE

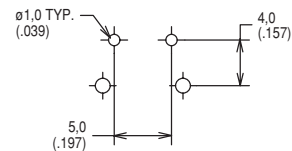


PCB LAYOUT

V VERTICAL



PCB LAYOUT



ACTUATION FORCE

OPTION CODE	FORCE
L	130 grams
M	160 grams
H	200 grams
K	260 grams

PTS645-TR Series 6 mm Radial Tact Switches

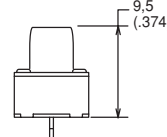
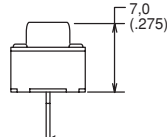
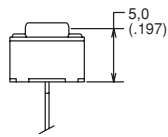
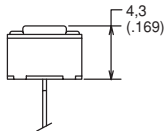
ACTUATOR HEIGHT

43 4,3 mm

50 5,0 mm

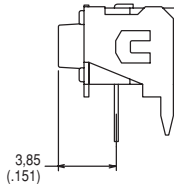
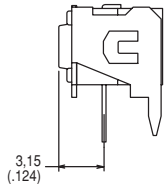
70 7,0 mm

95 9,5 mm



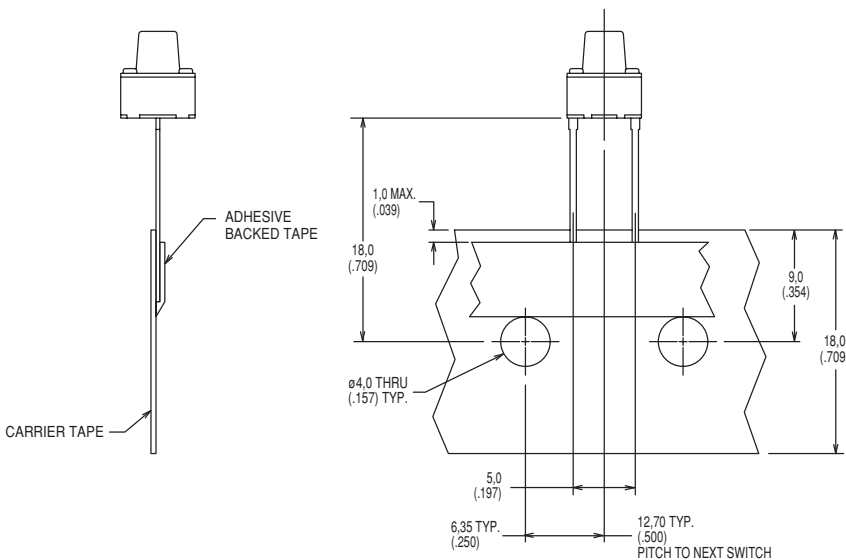
31 3,15 mm

39 3,85 mm



INSERTION TYPE

TR Radial Taping

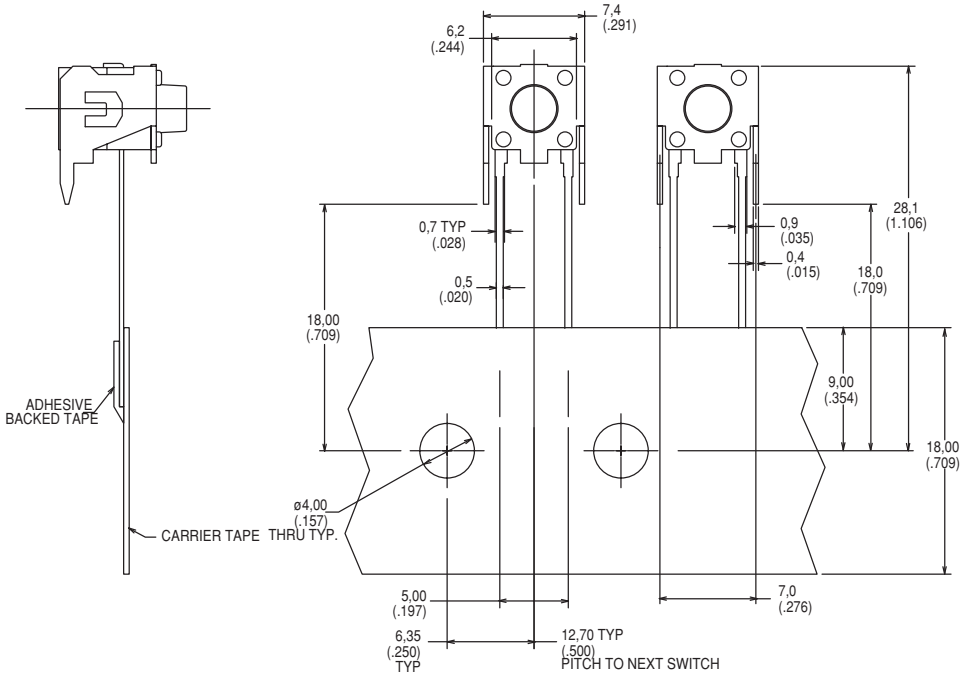


Tactile Switches

B

PTS645-TR Series 6 mm Radial Tact Switches

TR Radial Taping



Tactile Switches