

KST Series

Long Travel Tact Switch for SMT

Features/Benefits

- Rubber actuator
- Silver contact material
- J or G terminals
- Compatible with pick and place machines

Typical Applications

- Front panel
- Car dashboards
- Telephone set
- Instrumentation



B

Tactile Switches

Specification

FUNCTION: Momentary
 CONTACT ARRANGEMENT: 1 make contact = SPST N.O.
 TERMINALS: J Bend or Gullwing type for SMT

Mechanical

MAXIMUM APPLIED FORCE: 40 N (400 grams)

Type	Operating force Fa N (grams)±30%	Operating life (operations)	Travel to make
KST221J	2 (200)	100,000	1,3+0,3/-0.2
KST241J	3.5 (350)	100,000	1,3+0,3/-0.2

Packaging

Switches are delivered on continuous tape and reels of 1,000 pieces, 330 (12.992) external diameter. Other dimensions according to EIA-RS-481 standard.

NOTE: Part numbers listed above do not represent all possible configurations. For information on specific and custom switches, consult Customer Service Center.

Electrical

SWITCHING POWER MAX.: 0.50 VA
 SWITCHING VOLTAGE MIN./MAX.: 20 mV/30 V
 SWITCHING CURRENT MIN./MAX.: 1 mA/50 mA

DIELECTRIC STRENGTH (50 Hz, 1 min.): > 250 V
 CONTACT RESISTANCE: <100 mΩ
 INSULATION RESISTANCE: >10⁹Ω
 BOUNCE TIME: < 5 ms

Environmental

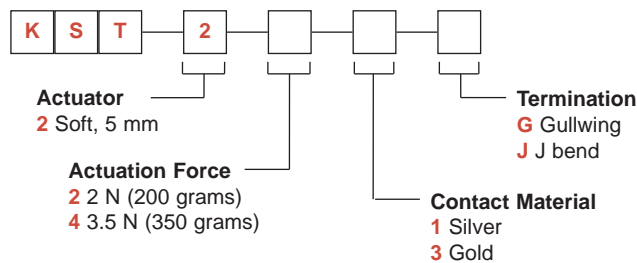
OPERATING TEMPERATURE: -40°C to 125°C
 STORAGE TEMPERATURE: -55°C to 125°C

Process

Contact terminals are tin plated.
 Infrared soldering process in accordance with CECC 00802
 No washing, IP53

How To Order

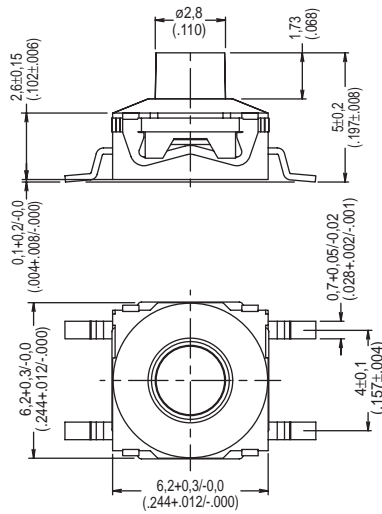
Our easy build-a-switch concept allows you to mix and match options to create the switch you need. To order, select desired option from each category and place it in the appropriate box.



KST Series Long Travel Tact Switch for SMT

SERIES

KST

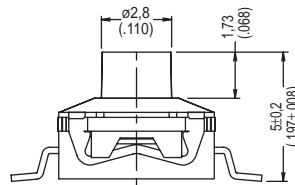


B

Tactile Switches

ACTUATOR

2 SOFT



ACTUATION FORCE

OPTION CODE	OPERATING FORCE
2	2 N (200 grams)
4	3.5 N (350 grams)

CONTACT MATERIAL

1 SILVER

3 GOLD



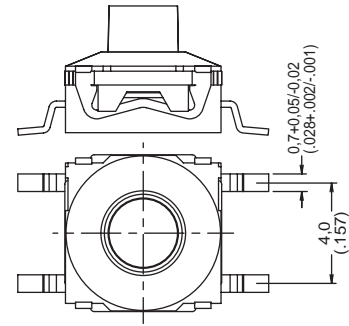
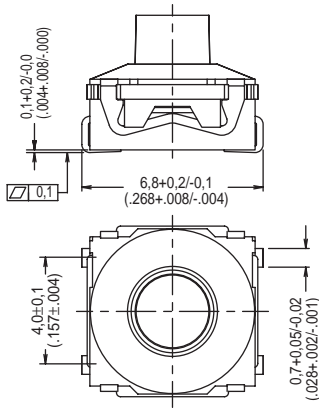
Dimensions are shown: mm (inch)
Dimensions subject to change

KST Series Long Travel Tact Switch for SMT

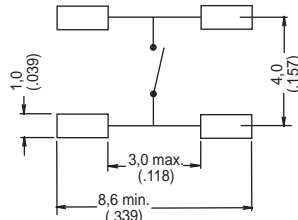
TERMINATION

J J BEND

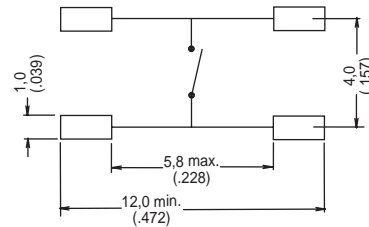
G GULLWING



PAD LAYOUT



PAD LAYOUT

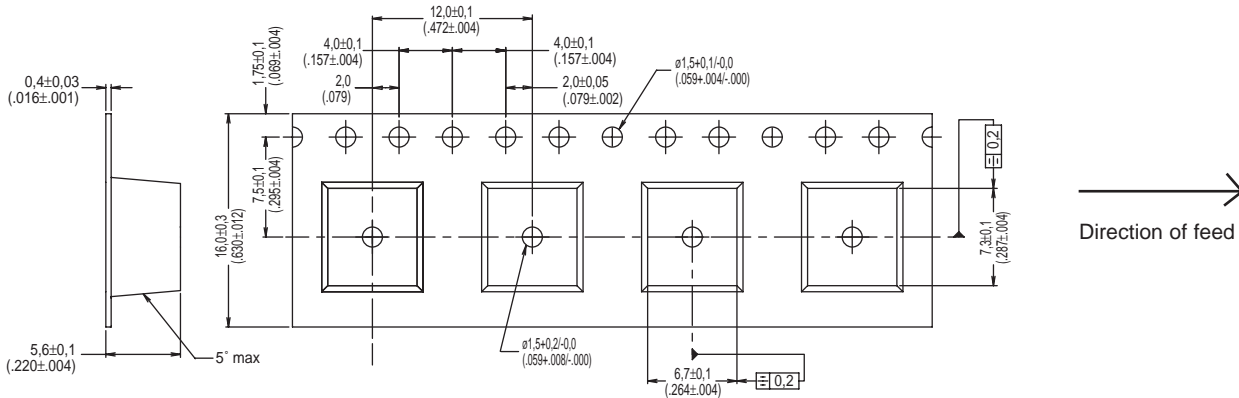


Tactile Switches

B

TAPE & REEL

FOR J TERMINATION



FOR G TERMINATION

