

# KSC5 Series Tact Switch with Rocker Option for SMT



## Features/Benefits

- Can be actuated from either side or top
- Tin plated terminals
- Washable & sealed
- Compatible with automatic insertion machines

## Typical Applications

- Automotive
- Computers
- Instrumentation

## Specification

FUNCTION: Momentary action  
CONTACT ARRANGEMENT: 1 make contact = SPST, N.O.  
TERMINALS: J bend & Gullwing type for SMT

Electrical	Silver	Gold
MAXIMUM POWER:	1 VA	0.2 VA
MAXIMUM VOLTAGE:	32 VDC	32 VDC
MINIMUM VOLTAGE:	20 mV	20 mV
MAXIMUM CURRENT:	50 mA	10 mA
MINIMUM CURRENT:	1 mA	1 mA

DIELECTRIC STRENGTH (50 Hz, 1 min.): > 250 V  
CONTACT RESISTANCE: < 100 mΩ  
INSULATION RESISTANCE (100 V): > 10<sup>9</sup> Ω  
BOUNCE TIME: < 1 ms

## Mechanical

Type	Operating force axial FA N (grams) ±25%	Operating force lateral FL N (grams) ±30%	Travel to make axial (mm)	Travel to make lateral (mm)	Life expectancy cycles, axial	Life expectancy cycles, lateral
KSC521G	2.0 (200)	1.9 (190)	0,25 ± 0,15	0,5 ± 0,25	100,000	10,000
KSC541G	3.0 (300)	2.8 (280)	0,25 ± 0,15	0,5 ± 0,25	100,000	10,000

NOTE: Part numbers listed above do not represent all possible configurations.  
For information on specific and custom switches, consult Customer Service Center.

## Environmental

	Silver	Gold
OPERATING TEMPERATURE:	-40°C to 85°C	-40°C to 125°C
STORAGE TEMPERATURE:	-55°C to 85°C	-55°C to 125°C

## Process

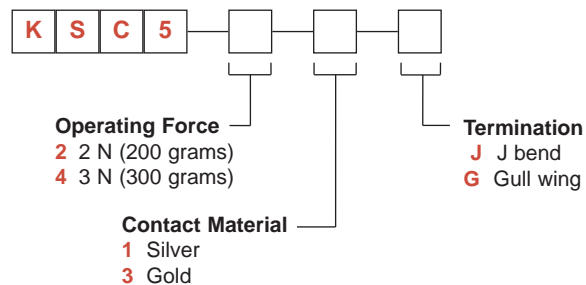
SOLDERING: Infrared reflow in accordance with CECC00802

## Packaging

Switches delivered on continuous tape & reels of 1,000 pieces, 330 (12.992) external diameter. Other dimensions according to EIA-RS-481 standard.

## How To Order

Our easy build-a-switch concept allows you to mix and match options to create the switch you need. To order, select desired option from each category and place it in the appropriate box.



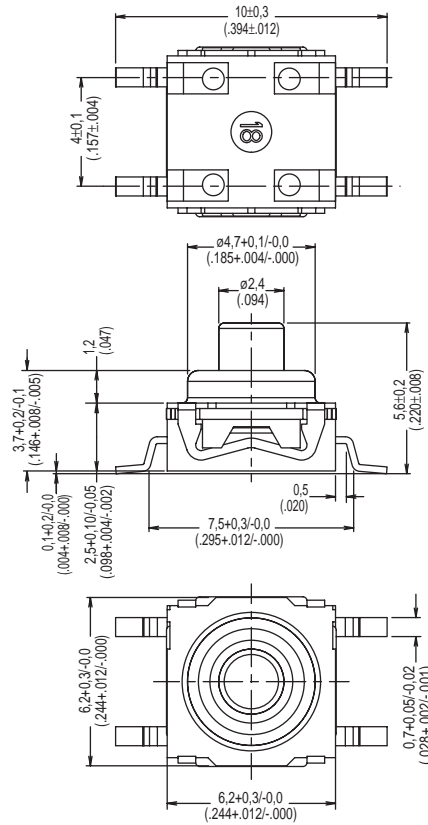
# KSC5 Series Tact Switch with Rocker Option for SMT

ACTUATOR

KSC5



KSC521G



Tactile Switches

OPERATING FORCE

OPTION CODE	OPERATING FORCE
2	2 N (200 grams)
4	3 N (300 grams)

CONTACT MATERIAL

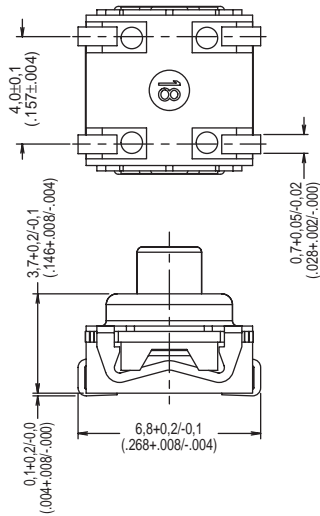
OPTION CODE	MATERIAL
1	Silver
3	Gold

# KSC5 Series Tact Switch with Rocker Option for SMT

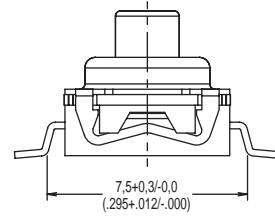
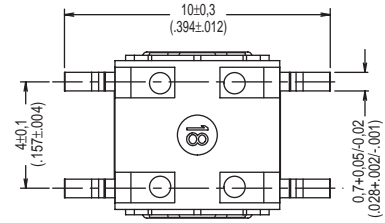
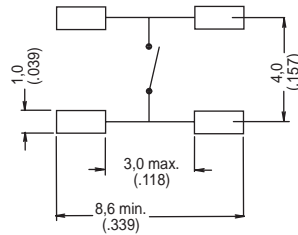
## TERMINATION

**J** J BEND

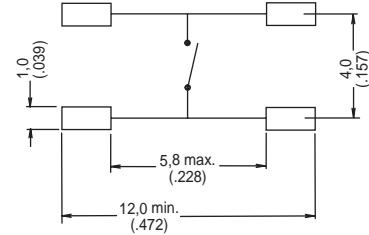
**G** GULLWING



PAD LAYOUT



PAD LAYOUT

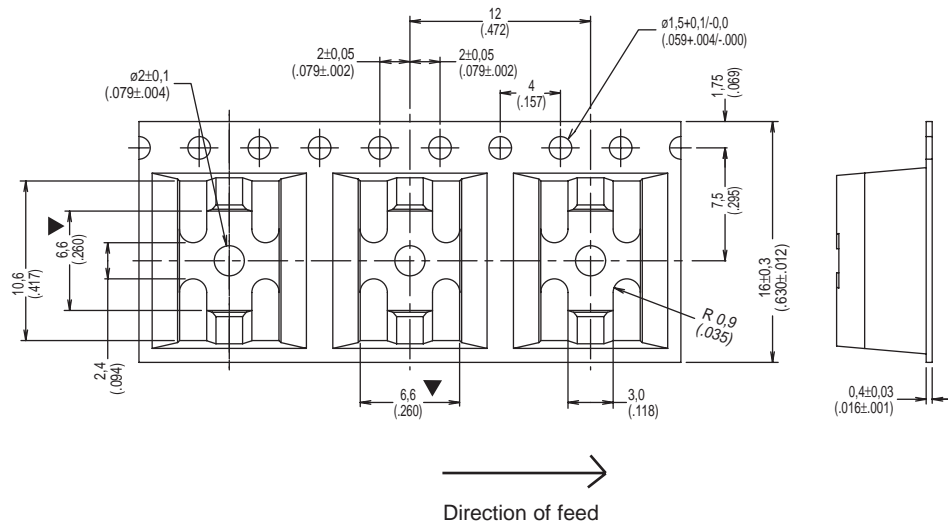


**B**

Tactile Switches

## TAPE & REEL

FOR KSC5 G & J TERMINATION



First Angle  
Projection

Dimensions are shown: mm (inch)  
Dimensions subject to change