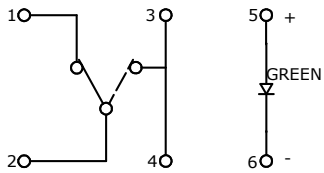
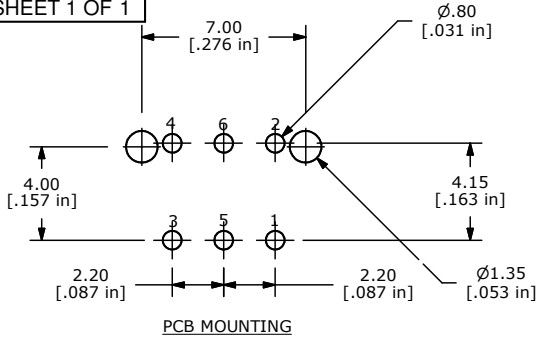
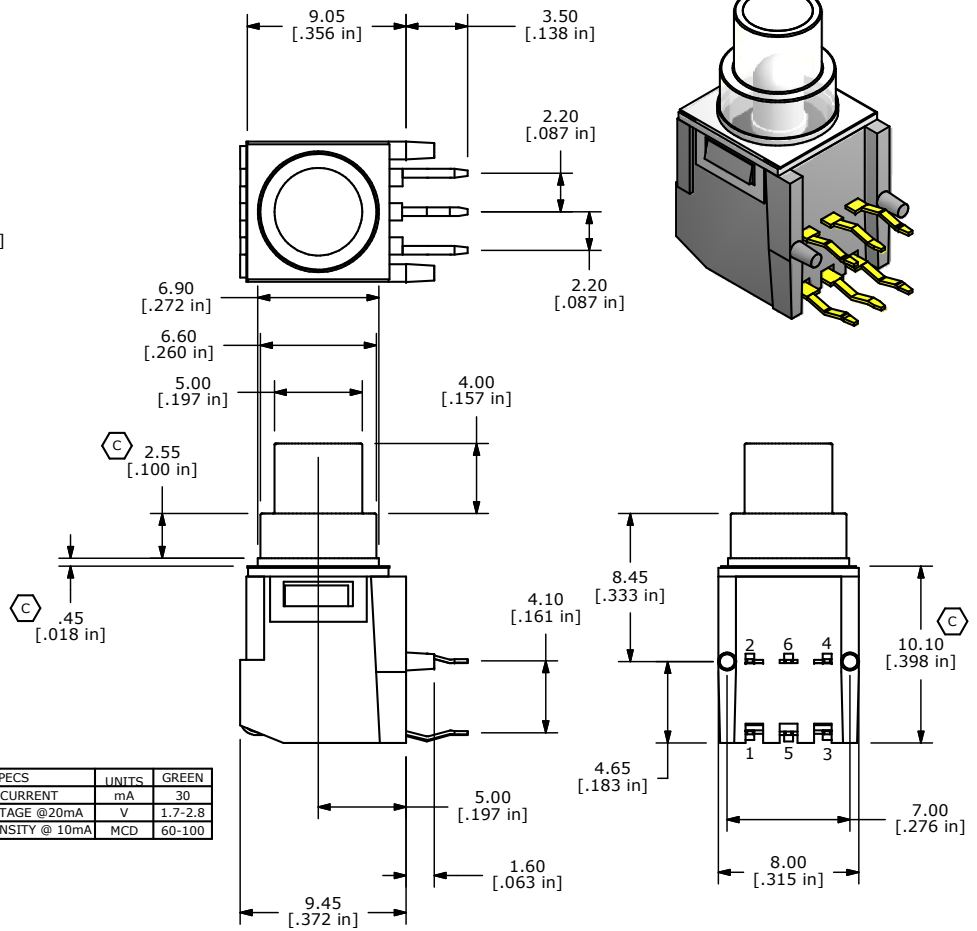


SHEET 1 OF 1



- NOTES:
1. ALL DIMENSIONS IN MM [INCH]
  2. GENERAL TOLERANCE: X.X=±0.4  
X.XX=±0.25
  3. TERMINAL NUMBERS FOR REF ONLY
  4. RATING: CURRENT: 0.1mA - 100mA  
VOLTAGE: 20 m VDC - 32 VDC
  5. OPERATING LIFE: 25,000 MAKE-AND-BREAK CYCLES
  6. INSULATION RESISTANCE: 500VDC, 100M OHM. MIN.
  - ▲ 7. OPERATING FORCE: 500gf ± 25%
  8. OPERATING TEMP.: -20°C to 70°C
  9. TRAVEL: 1.0 ± 0.2mm ELECTRICAL MAKE  
2.0 ± 0.2mm FULL TRAVEL
  10. CONTACT RESISTANCE: 250 m OHM. MAX.
  11. ▲ DENOTES CRITICAL PARAMETER.
  12. 2002/95/EC (ROHS) COMPLIANT
  - ▲ 13. LED COLOR: GREEN
  - ▲ 14. GOLD CONTACTS.

LED SPECS	UNITS	GREEN
FORWARD CURRENT	mA	30
FORWARD VOLTAGE @20mA	V	1.7-2.8
LUMINOUS INTENSITY @ 10mA	MCD	60-100



C	18255	ADD KEY DIMENSIONS, FIX LED COLOR	9/24/08	BLR
B	18146	LED polarity was reversed	6/18/08	rc
A	18012	New-Release	3/13/08	rc
REV	PCR NO	DESCRIPTION	DATE	BY

THE INFORMATION CONTAINED IN THIS DOCUMENT IS PROPRIETARY TO E-SWITCH AND IS NOT TO BE COPIED OR TRANSFERRED



TITLE TL1290AF500GR

SCALE 3 = 1	DATE 9/24/2008	DR rc	DWG B210002	REV C
-------------	----------------	-------	-------------	-------