

SERIES TL 1250 SWITCHES

ILLUMINATED RIGHT ANGLE TACT SWITCH



MECHANICAL SPECIFICATIONS

Mechanical Life:	50,000 cycles
Force:	120 ± 60 gf; 180 ± 60 gf; 280 ± 70 gf
Travel:	0.2mm ± 0.1mm

ELECTRICAL SPECIFICATIONS

Contact Rating:	12VDC @ 50mA
Contact Resistance (Initial Max.):	100 mOhms @ 5VDC
Insulation Resistance (min.@100V):	100 MOhms
Dielectric Strength (1 Min.):	250VAC
Bounce:	5m Second Max

FEATURES & BENEFITS

- Right-angle, thru hole termination
- Single color LED options available
- Sharp, tactile response
- Long travel

APPLICATIONS / MARKETS

- Telecommunications
- Consumer Electronics
- Audio/visual
- Medical
- Testing/instrumentation
- Computer/servers/peripherals

ENVIRONMENTAL SPECIFICATIONS

Operating Temperature:	-20°C to +70°C
------------------------	----------------

HOW TO ORDER

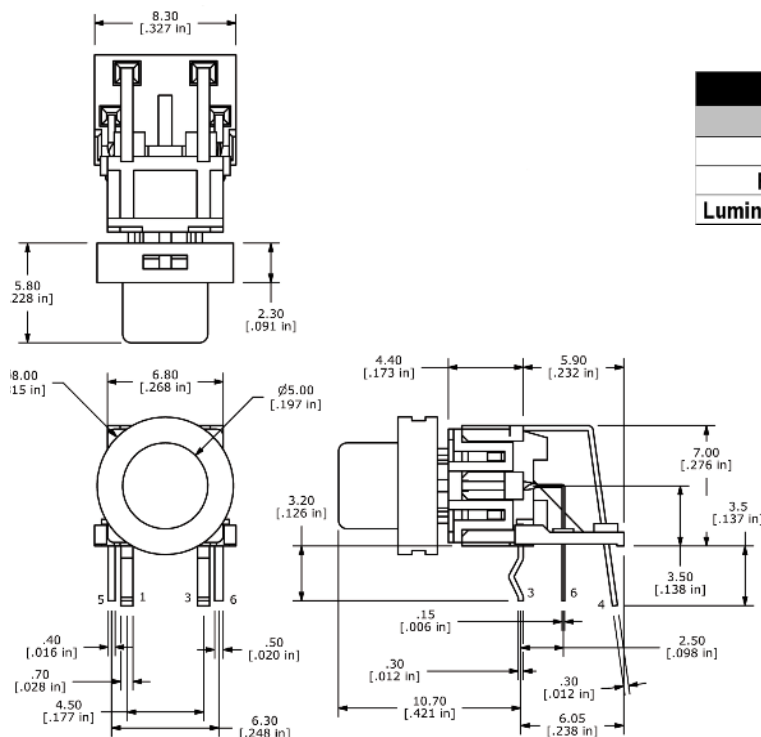
SERIES	MODEL NO.	OPERATING FORCE	LED OPTION	CONTACT MATERIAL	CAP OPTION	CAPCOLOR
TL	1250	F120 = 120 gf F180 = 180 gf F280 = 280 gf	A = None B = Blue R = Red G = Green Y = Yellow	Q = Silver R = Gold	R = Round Style N = No Cap	BLK = Black* RED = Red* GRY = Gray* CLR = Clear WHT = White*

Example Ordering Number

TL1250 F180AQ RCLR

*Denotes an opaque cap, not to be used with an LED

Specifications subject to change without notice.



LED Specifications

	Blue	Green	Yellow	Red
Forward Current (mA)	20	20	20	20
Forward Voltage @20mA (V)	3.65-4.2	2.1-2.5	2.0-2.5	1.95-2.5
Luminous Intensity @10mA (mcd)	250	400	1800	1800

