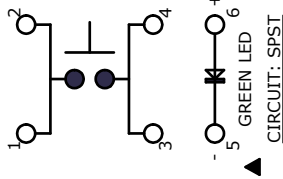
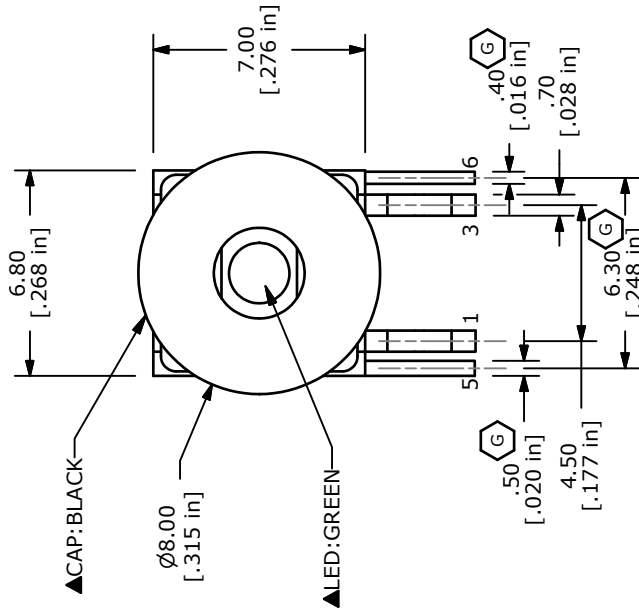
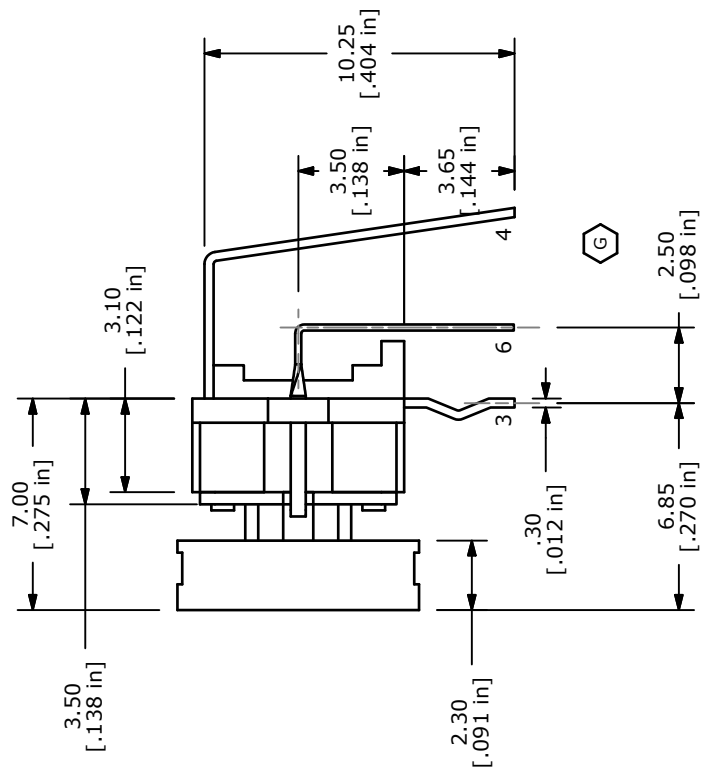
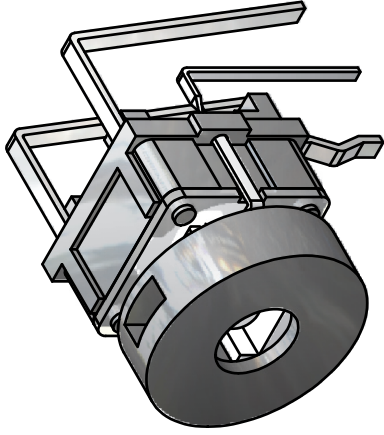


P.C.B. LAYOUT



- NOTES:
1. ALL DIMENSIONS IN MM [INCH]
 2. GENERAL TOLERANCE: X.X=±0.4
X.XX=±0.25
 3. RATING: 12VDC @ 50mA
 4. CONTACT RESISTANCE: 100mΩ MAX.
 5. INSULATION RESISTANCE: 100MΩ MIN.
 - ▲ 6. OPERATING FORCE: 160± 50gf
 7. TRAVEL: 0.2± 0.1mm
 8. OPERATING TEMPERATURE: -20°C TO 70°C
 9. OPERATING LIFE 50,000 CYCLES
 - ▲ 10. LED COLOR: GREEN
 11. ▲ DENOTED CRITICAL PARAMETER
 12. 2002/95/EC (ROHS) COMPLIANT

LED SPECS	UNITS	GREEN
FORWARD CURRENT	mA	20
FORWARD VOLTAGE	V	2.0-2.5
LUMINOUS INTENSITY	MCD	120



E-SWITCH™

TITLE TL1260GQRBLK

REV	PCR NO	DESCRIPTION	DATE	BY
G	19542	UPDATE DRAWING	12/21/10	BGL
F	18175	chg LED, updated specs	7/8/08	rc
E	17281	ADD GEN. TOLERANCE NOTE	5/11/07	TN
D	16026	UPDATE LED SPECS	5/16/06	CT
C	15894	EDIT LED CHART	3/23/06	PH
B	15885	ADD LED SPECIFICATIONS	3/21/06	PH
A	15838	RELEASED FOR PRODUCTION	3/2/06	PH

SCALE	4:1
DATE	5/11/2007
DR	TN
DWG	B200003
REV	G

THE INFORMATION CONTAINED IN THIS DOCUMENT IS PROPRIETARY TO E-SWITCH AND IS NOT TO BE COPIED OR TRANSFERRED