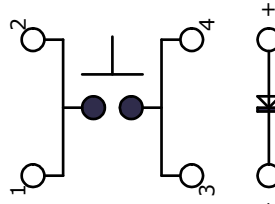


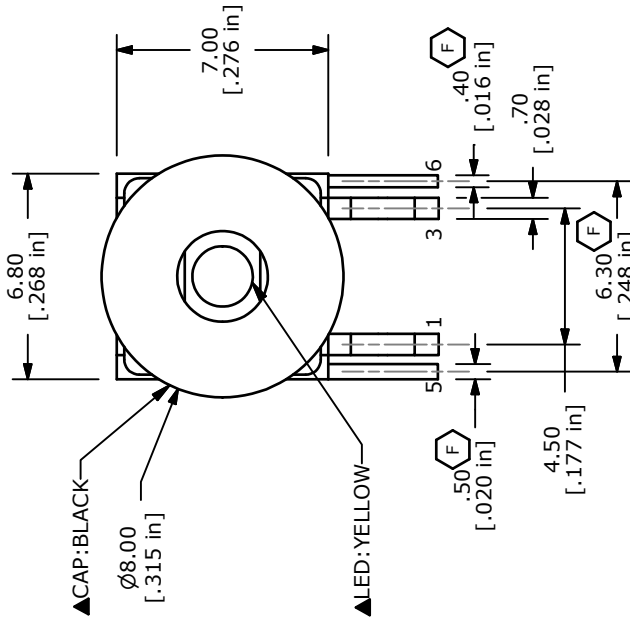
P.C.B. LAYOUT



CIRCUIT: SPST

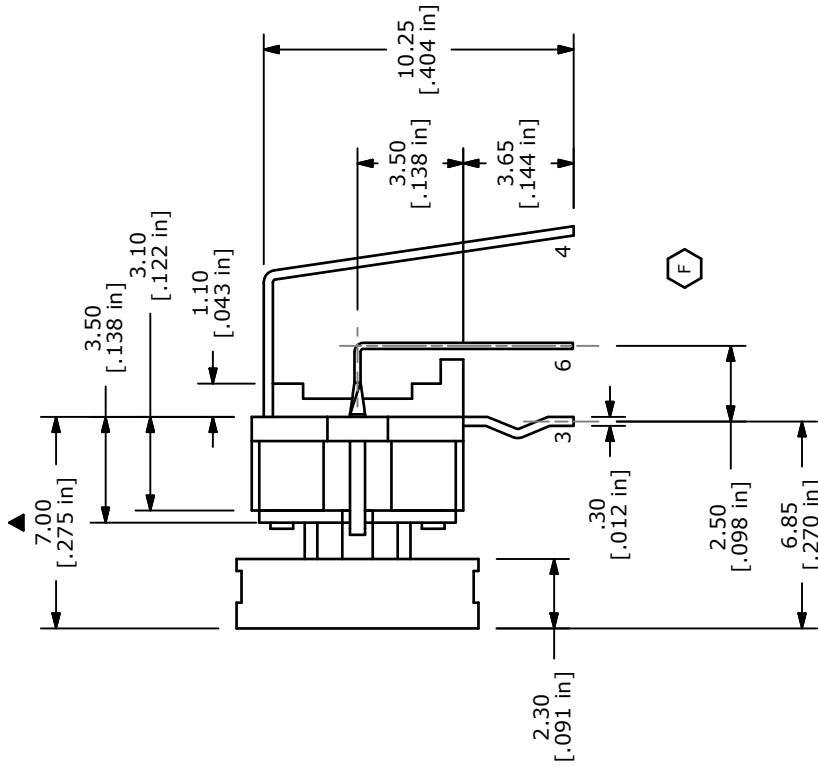
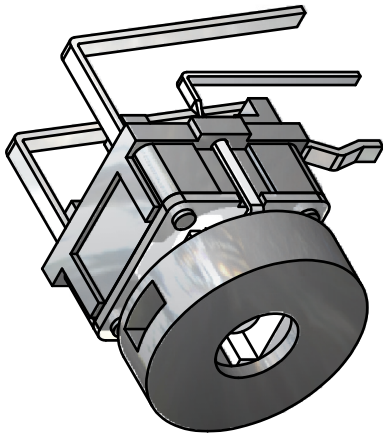
- NOTES:
1. ALL DIMENSIONS IN MM [INCH]
 2. GENERAL TOLERANCE: X.X=±0.4
X.XX=±0.25
 3. RATING: 12VDC @ 50mA
 4. CONTACT RESISTANCE: 100mΩ MAX.
 5. INSULATION RESISTANCE: 100MΩ MIN.
 - ▲ 6. OPERATING FORCE: 160±50gf
 7. TRAVEL: 0.2±0.1mm
 8. OPERATING TEMPERATURE: -20°C TO 70°C
 9. OPERATING LIFE: 50,000 CYCLES
 - ▲ 10. LED: YELLOW
 - ▲ 11. ▲ DENOTES CRITICAL PARAMETERS
 12. 2002/95/EC (ROHS) COMPLIANT

LED SPECS	UNITS	YELLOW
FORWARD CURRENT	mA	20
FORWARD VOLTAGE	V	2.0-2.5
LUMINOUS INTENSITY	MCD	200



▲CAP:BLACK
 Ø8.00
 [.315 in]

▲LED:YELLOW
 .40
 [.016 in]



E-SWITCH™

TITLE TL1260YQRBLK

REV	PCR NO	DESCRIPTION	DATE	BY
F	19542	UPDATE DRAWING	12/21/10	BGL
E	17280	ADD GENERAL TOLERANCE NOTE	5/11/07	TN
D	16026	UPDATE LED SPECS	5/16/06	CT
C	15894	EDIT LED SPECS	3/23/06	PH
B	15867	ADD CAP, CHANGE TO YELLOW LED	3/15/06	PH

THE INFORMATION CONTAINED IN THIS DOCUMENT IS PROPRIETARY TO E-SWITCH AND IS NOT TO BE COPIED OR TRANSFERRED

SCALE 4:1

DATE 5/11/2007

DR TN

DWG B200001

REV F