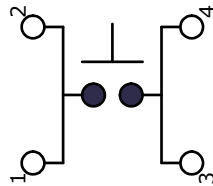


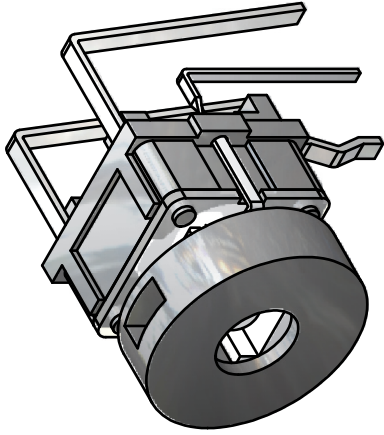
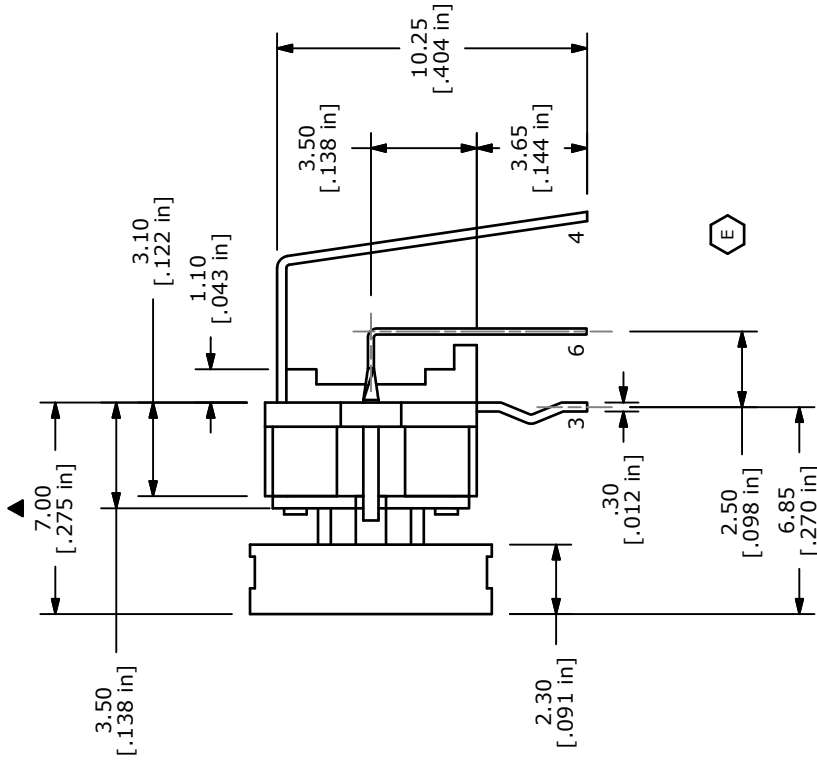
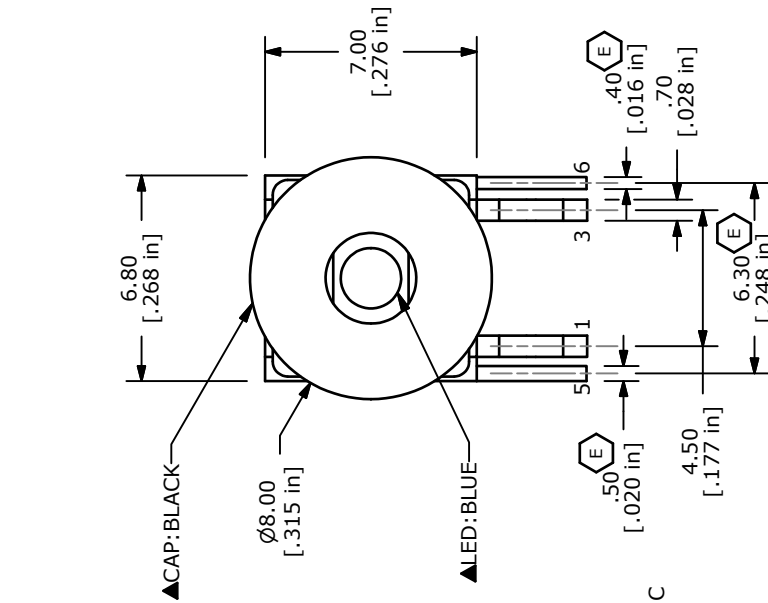
P.C.B. LAYOUT



NOTES:

1. ALL DIMENSIONS IN MM [INCH]
2. GENERAL TOLERANCE: X.X=±0.4
X.XX=±0.25
3. RATING: 12VDC @ 50mA
4. CONTACT RESISTANCE: 100mΩ MAX.
5. INSULATION RESISTANCE: 100MΩ MIN.
- ▲6. OPERATING FORCE: 160±50gf
7. TRAVEL: 0.2±0.1mm
8. OPERATING TEMPERATURE: -20°C TO 70°C
9. OPERATING LIFE: 50,000 CYCLES
- ▲10. LED: BLUE
11. ▲ DENOTES CRITICAL PARAMETERS
12. 2002/95/EC (ROHS) COMPLIANT

LED SPECS	UNITS	BLUE
FORWARD CURRENT	mA	20
FORWARD VOLTAGE	V	3.5-4.0
LUMINOUS INTENSITY	MCD	230



TITLE TL1260BQRBLK

REV	PCR NO	DESCRIPTION	DATE	BY
E	19542	UPDATE DRAWING	12/21/10	BGL
D	17280	GEN. TOLERANCE NOTE ADDED	5/11/07	TN
C	16026	UPDATE LED SPECS	5/16/06	CT
B	15867	ADD CAP	3/15/06	PH
A	15723	RELEASED FOR PRODUCTION	1/31/06	PH
SCALE	4:1	DATE	5/11/2007	DR
DWG	B200000	REV	TN	E

THE INFORMATION CONTAINED IN THIS DOCUMENT IS PROPRIETARY TO E-SWITCH AND IS NOT TO BE COPIED OR TRANSFERRED