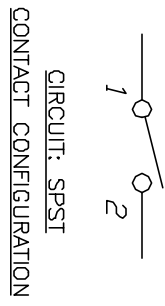
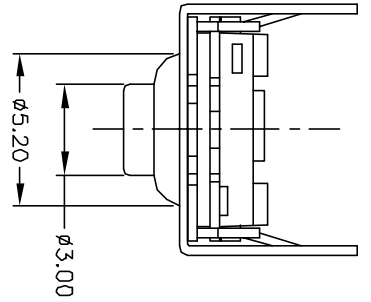
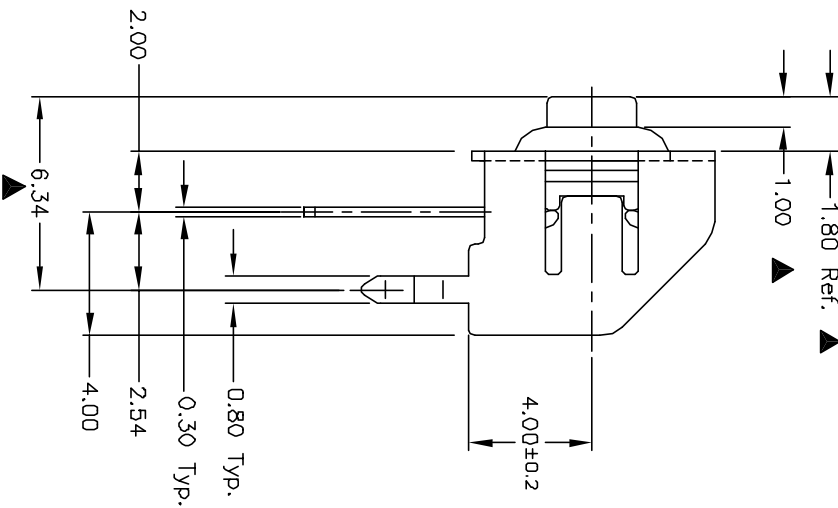
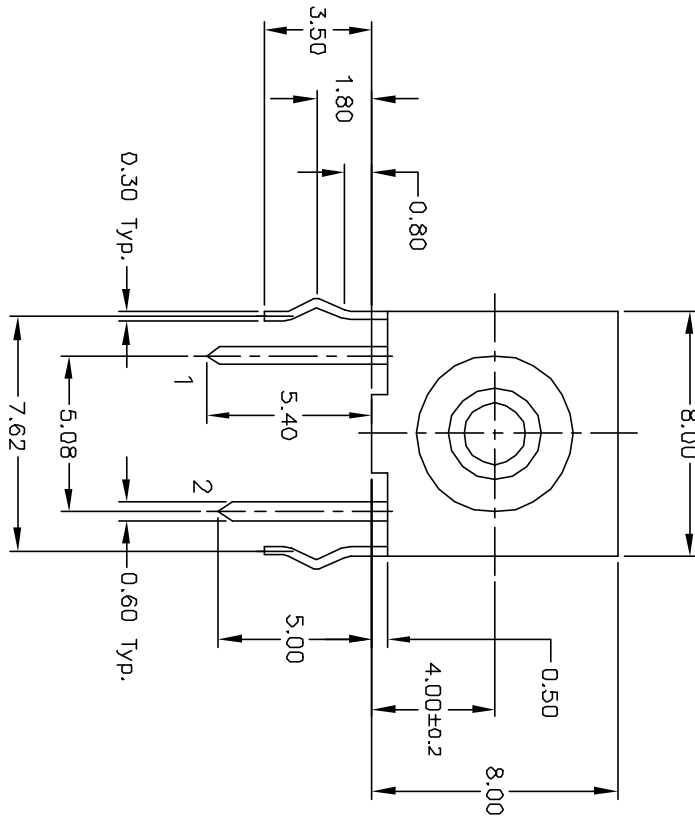


RECOMMENDED P.C.B. LAYOUT



NOTES:

1. ALL DIMENSIONS IN MM
2. GENERAL TOLERANCE: X.X=±0.4
X.XX=±0.25
3. TERM. NOS. FOR REF. ONLY
4. ACTUATION FORCE: 300±40gf
5. TRAVEL TO MAKE: 0.3mm +0.4/-0.0
6. RATING: 30mA, @12V DC
7. CONTACT RESISTANCE: 50 milli-ohms typical
8. DIELECTRIC STRENGTH: 300V RMS min at sea level.
9. ELECTRICAL LIFE CYCLE: 1,000,000 make & break cycles at full load.
10. DESIGNATE MAJOR DIMENSIONS



E-SWITCH®

REV.	ECN No.	DESCRIPTION	DATE	CHKD	SCALE	DATE	DR	DWG	REV
A	11381	RELEASED FOR PRODUCTION	4/9/01	CJB	4:1	4/9/01	CJB	L3000003	A
TITLE: GS 6.34 F300 QR Right angle washable tact switch									
THE INFORMATION CONTAINED IN THIS DOCUMENT IS PROPRIETARY TO E-SWITCH AND IS NOT TO BE COPIED OR TRANSMITTED									