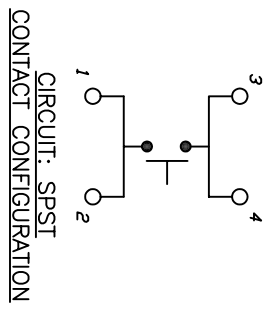
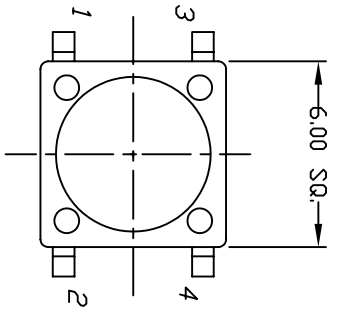
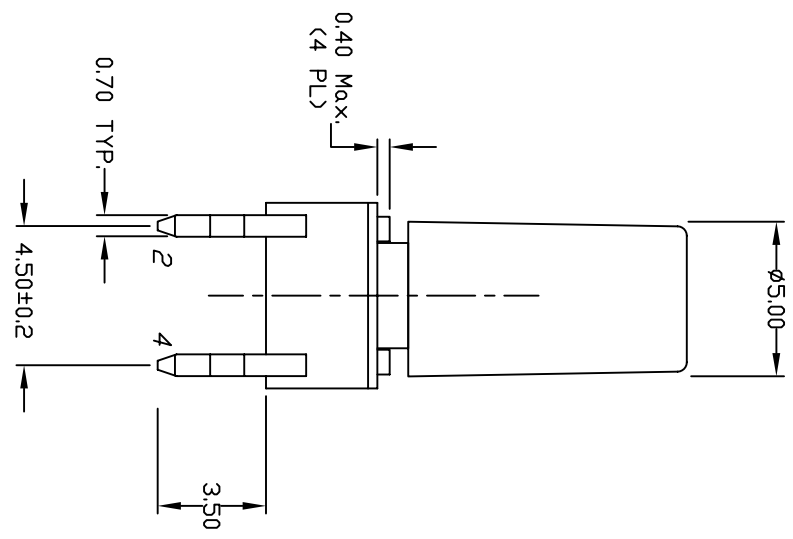
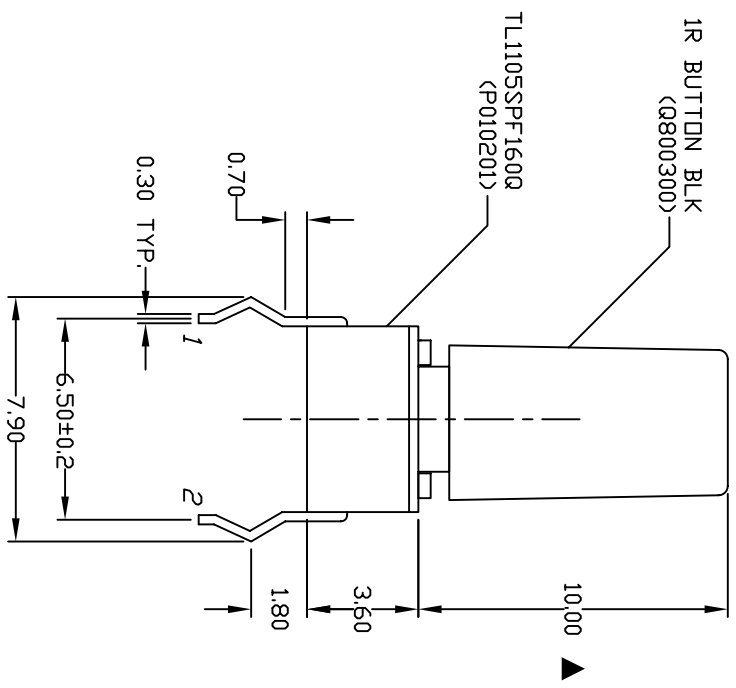


RECOMMENDED P.C.B. LAYOUT



- NOTES:
1. ALL DIMENSIONS IN MM
 2. GENERAL TOLERANCE: X.X=±0.4
X.XX=±0.25
 3. TERM. NOS. FOR REF. ONLY
 4. RATING: 50mA, @12V DC
 5. TRAVEL: 0.25±0.1mm
 6. OPERATING FORCE: 160±50gf
 7. CONTACT RESISTANCE: 100 milliohms Max.
 8. ELECTRICAL LIFE: 100,000 CYCLES MIN.
 9. ▲ DENOTES CRITICAL PARAMETER.
 10. 2002/95/EC (ROHS) COMPLIANT



B	16952	A800300 CHANGED TO 0800300	2/1/07	TN
A	13406	RELEASED FOR PRODUCTION	8/27/03	AR
REV.	ECN No.	DESCRIPTION	DATE	CHKD

TITLE		SCALE	DATE	DR	DWG	REV
TL1105SPF160QIRBLK		4:1	2/1/2007	TN	XP0053A	B

