

4

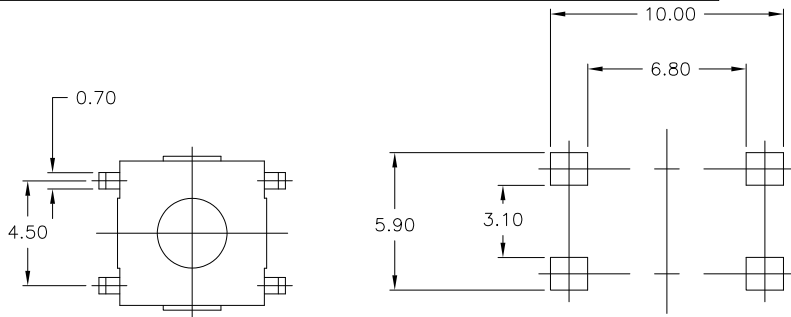
3

2

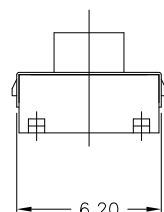
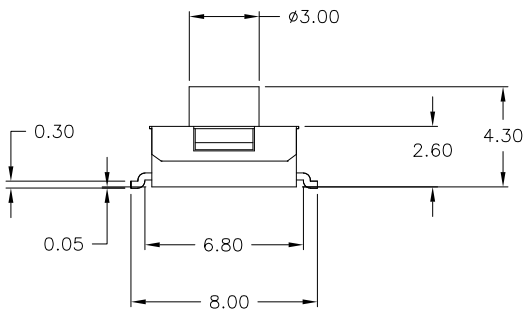
1

THIS DRAWING IS UNPUBLISHED. RELEASED FOR PUBLICATION  
 © COPYRIGHT - BY TYCO ELECTRONICS CORPORATION. ALL RIGHTS RESERVED.

LOC	DIST	REVISIONS				
P	LTR	DESCRIPTION	DATE	DWN	APVD	
AD	0	E1	ECO-07-019163	05NOV2007	RB	MS



P C B LAND DIMENSION



**MATERIALS:**  
 CASE: PPS, 94V-0, BLACK  
 COVER: COPPER ALLOY, TIN PLATE  
 ACTUATOR: NYLON 6T UL94V-0, COLOR- RED  
 MOVING CONTACT: COPPER ALLOY, SILVER FINISH  
 FIXED CONTACT/TERMINAL: COPPER ALLOY, SILVER FINISH

**ELECTRICAL:**  
 MAX CONTACT RATING: 50MILLIAMPS@24V DC  
 MIN CONTACT RATING: 10MICROAMPS@1V DC  
 INITIAL CONTACT RESISTANCE: 100 MILLIOHMS MAX  
 INSULATION RESISTANCE: 100 MEGOHMS AT 250 VDC MIN  
 DIELECTRIC STRENGTH: 500 VAC 50/60 HZ FOR 1 MINUTE.  
 LIFE EXPECTANCY: 100,000 CYCLES MIN.

**MECHANICAL:**  
 ACTUATION FORCE: 260±30g  
 ACTUATION TRAVEL 0.25<sup>+0.2</sup><sub>-0.1</sub>  
 LIFE EXPECTANCY: 150,000 CYCLES

**ENVIRONMENTAL:**  
 OPERATING TEMPERATURE: -35°C TO +85°C  
 STORAGE TEMPERATURE: -35°C TO +85°C  
 RESISTANCE TO SOLDER HEAT PER 109-201 COND B.

- NOTES:**
1. TAPE AND REEL PACKAGING PER EIA-481, PITCH 12MM, WIDTH 16MM. 1500 PCS. PER REEL.
  2. ALL MATERIALS AND FINISHES SHALL COMPLY WITH EU DIRECTIVE 2002/95/EC OF 27JAN2003 (ROHS)

O - INDICATES MOMENTARY POSITION		
CIRCUIT CHARACTERISTICS		
CONTACT POSITION	CIRCUIT DIAGRAM	
OFF	(ON)	
	1-3	
	2-4	

FSM4LPA	1571621-1
FSM4LPATR	4-1437565-3
OLD T&B P/N	PART NUMBER

THIS DRAWING IS A CONTROLLED DOCUMENT.		DWN	M. BINNER	17SEP02	Tyco Electronics Corporation Harrisburg, PA 17105
DIMENSIONS:		CHK	M. SARVER	18SEP02	
MM	TOLERANCES UNLESS OTHERWISE SPECIFIED:	APVD	M. SARVER	18SEP02	
0 PLC	± -	NAME		TACTILE SWITCH 6X6mm	
1 PLC	± -	PRODUCT SPEC		LOW PROFILE,	
2 PLC	± 0.30	APPLICATION SPEC		SURFACE MOUNT	
3 PLC	± -	SIZE	A3	CAGE CODE	00779
4 PLC	± -	DRAWING NO	4-1437565-3		RESTRICTED TO
ANGLES	± -	WEIGHT	-		-
MATERIAL	FINISH	CUSTOMER DRAWING		SCALE	6:1
-	-	SHEET		1	OF 1
		REV		E1	