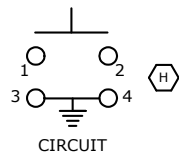
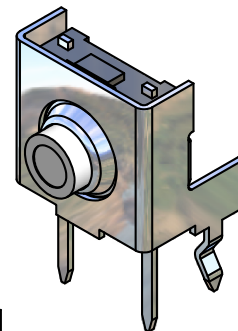
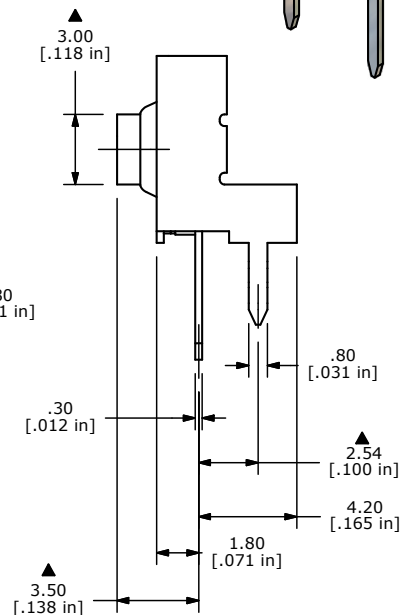
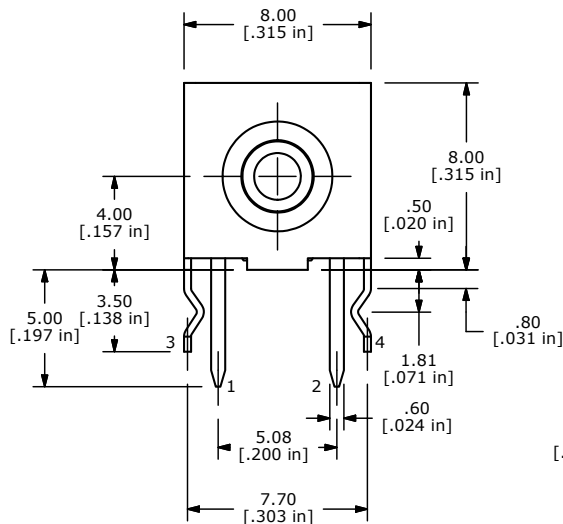


PCB MOUNTING



CIRCUIT

- NOTES
1. ALL DIMENSIONS IN MM [INCH]
  2. GENERAL TOLERANCE: X.X=±0.4  
X.XX=±0.25
  3. TERMINAL NUMBERS FOR REF. ONLY.
  - ▲4. OPERATING FORCE:130±50gf
  5. OPERATING LIFE:80,000 CYCLES
  6. TRAVEL: 0.5±0.2mm
  7. CONTACT RATING: 12VDC @ 50mA
  8. CONTACT RESISTANCE: 50m Ω MAX
  9. INSULATION RESISTANCE: 100M Ω MIN.
  10. BOUNCE MAX: 10m SEC MAX
  11. OPERATING TEMPERATURE: -40°C TO 85°C
  12. STORAGE TEMPERATURE: -55°C TO 85°C
  13. PACKAGING: TUBE 60 PCS. PER
  14. ▲DENOTES CRITICAL PARAMETER
  15. 2002/95/EC (ROHS) COMPLIANT



H	19559	CORRECT CIRCUIT	01/05/11	BMA
G	19544	UPDATE DRAWING	12/22/10	BMA
F	17788	ADDED TEMP. NOTES	10/17/07	BF
REV	PCR NO	DESCRIPTION	DATE	BY

THE INFORMATION CONTAINED IN THIS DOCUMENT IS PROPRIETARY TO E-SWITCH AND IS NOT TO BE COPIED OR TRANSFERRED



TITLE TL6110AF130QP

SCALE 4:1	DATE 10/17/2007	DR BF	DWG D351001	REV H
-----------	-----------------	-------	-------------	-------