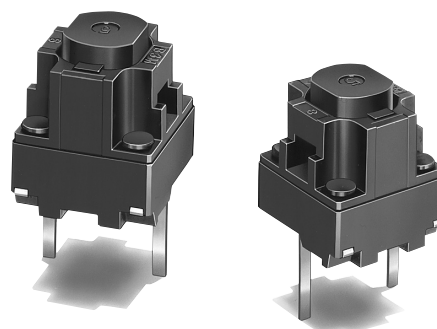


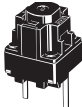
# Tactile Switch B3M

## Designed for a Long Stroke and Positive Click

- Long stroke of 0.85 mm provides radically improved operability.
- Light touch with a minimum overstroke of 0.25 mm.
- Improved reliability with a service life of 2,000,000 operations.
- RoHS Compliant.



## Ordering Information

Size	Switch height	Operating force (OF)	Model
6 x 6 mm type 	7.3	70 ± 20 gf	B3M-6009

**Important Note:** Switches cannot be water-washed.

## Specifications

### ■ Characteristics

<b>Contact form</b>	SPST-NO
<b>Switching capacity</b>	1 to 50 mA, 5 to 12 VDC (resistive load)
<b>Contact resistance</b>	500 mΩ max. (rated: 1 mA, 5 VDC)
<b>Insulation resistance</b>	100 MΩ min. (at 250 VDC)
<b>Dielectric strength</b>	250 VAC, 50/60 Hz for 1 min.
<b>Bounce time</b>	5 ms max.
<b>Vibration resistance</b>	Malfunction: 10 to 55 Hz, 1.5 mm double amplitude
<b>Shock resistance</b>	Malfunction: 100 m/s <sup>2</sup> max. (approx. 10 G max.)
<b>Life expectancy</b>	2,000,000 operations min.
<b>Ambient operating temperature</b>	-25° to 70°C (at 60% RH max.) with no icing or condensation
<b>Ambient operating humidity</b>	35% to 85% (at 5 to 35°C)
<b>Weight</b>	Approx. 0.27 g

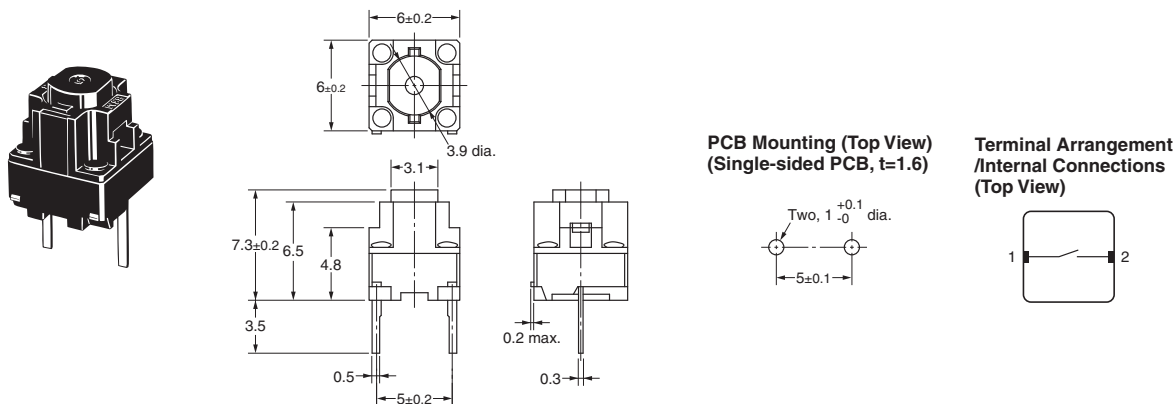
### ■ Operating Characteristics

<b>Operating force (OF)</b>	70 ± 20 gf
<b>Releasing force (RF min.)</b>	20 gf min.
<b>Pretravel (PT)</b>	0.5 mm max.
<b>Overtravel (OT)</b>	0.2 mm min.

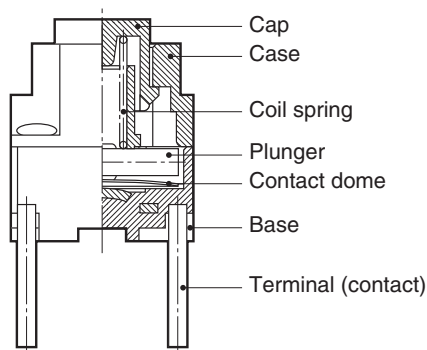
# Dimensions

- Note:** 1. Unless otherwise specified, all units are in millimeters and a tolerance of  $\pm 0.4$  mm applies to all dimensions.  
 2. Terminal numbers are not indicated on this switch. With the switch turned over so that the logo mark "OMRON" is visible on the upper part of the rear side of the switch base, the terminal on the top of the logo mark is numbered "1" and that on the bottom is "2."

## ■ B3M-6009



## ■ Construction



# Precautions

Be sure to read the precautions common to all Tactile Switches, contained in the Technical User's Guide, "Tactile Switches, Technical Information" for correct use.



All sales are subject to Omron Electronic Components LLC standard terms and conditions of sale, which can be found at [http://www.components.omron.com/components/web/webfiles.nsf/sales\\_terms.html](http://www.components.omron.com/components/web/webfiles.nsf/sales_terms.html)

**ALL DIMENSIONS SHOWN ARE IN MILLIMETERS.**  
To convert millimeters into inches, multiply by 0.03937. To convert grams into ounces, multiply by 0.03527.

---

**OMRON**<sup>®</sup>

**OMRON ELECTRONIC  
COMPONENTS LLC**

55 E. Commerce Drive, Suite B  
Schaumburg, IL 60173

**847-882-2288**

**OMRON ON-LINE**

Global - <http://www.omron.com>

USA - <http://www.components.omron.com>

Cat. No. X303-E-1

11/10

Specifications subject to change without notice

Printed in USA

---

Tactile Switch **B3M**