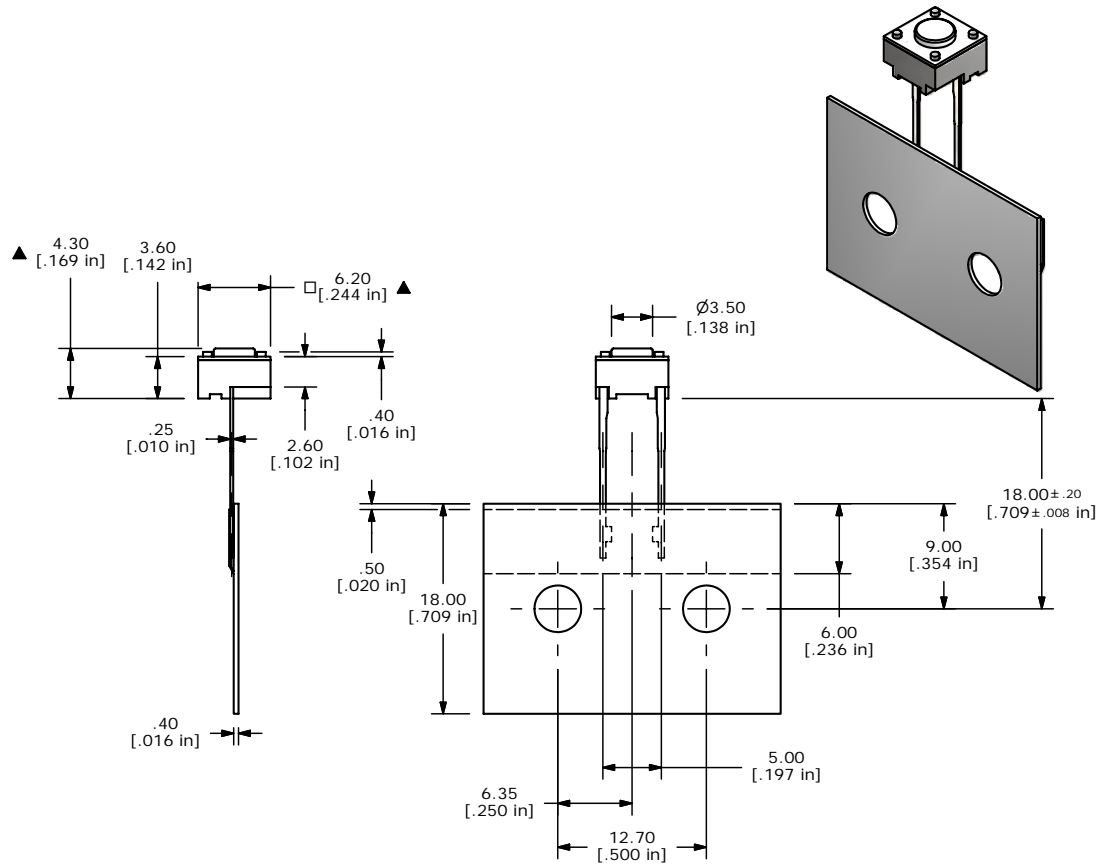


NOTES:

1. ALL DIMENSIONS IN MM [INCH]
2. GENERAL TOLERANCE: X.X=±0.4mm
X.XX=±0.25mm
3. CONTACT RATING: 50mA @ 12VDC
- ▲ 4. CONTACT MATERIAL: SILVER
- ▲ 5. OPERATING FORCE: 260±50gf
6. TRAVEL: 0.25 +0.2/-0.1mm
7. CONTACT RESISTANCE: 100mΩ MAX.
8. ELECTRICAL LIFE: 100,000 CYCLES
9. PACKAGING: 1,000 PCS RADIAL
10. 2002/95/EC (ROHS) COMPLIANT
11. ▲ DENOTES CRITICAL PRAMETERS.



E-SWITCH®

B	16884	UPDATE NOTES, .30 DIM TO .25	1/18/2007	TN
A	15808	RELEASED FOR PRODUCTION	2/23/06	PH
REV	PCR NO	DESCRIPTION	DATE	BY

TITLE TL59NF260Q				
SCALE	DATE	DR	DWG	REV
2:1	1/18/2007	TN	P010622	B

THE INFORMATION CONTAINED IN THIS DOCUMENT IS PROPRIETARY TO E-SWITCH AND IS NOT TO BE COPIED OR TRANSFERRED